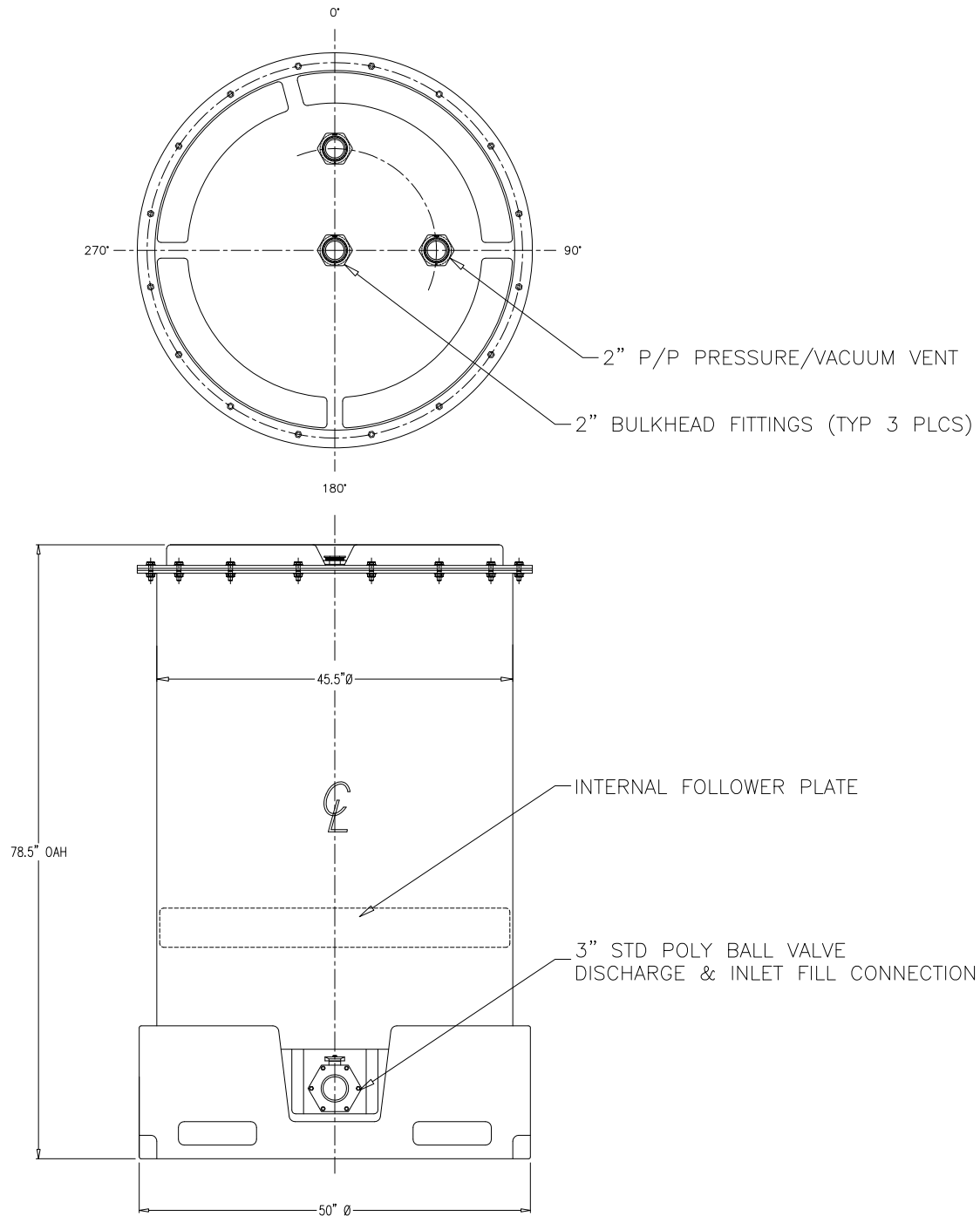


SII 330 GALLON POLY VISCO DRUM			
SII P/N	DESCRIPTION	BASE DIMENSIONS	TARE WT:
6991900B	330 GALLON POLY VISCO DRUM	50"Ø X 78.5" OAH	380 LBS

NOTES:

1. HDLPE MATERIAL OF CONSTRUCTION
2. ESTIMATED TARE WT: 380 LBS



 SNYDER INDUSTRIES, INC. LINCOLN, NE 68504 PHONE:(402) 467-5221 WWW.SNYDERNET.COM		
JOB:		
SCALE: N/A	APPROVED BY:	DRAWN BY: DLO
DATE: 10/07/2008	CHECKED BY: ---	CHECKED BY: ---
DESCRIPTION: 330 GAL POLY VISCO DRUM		DRAWING NUMBER: