

Water Closet Tanks

300 & 400 Gallon

Your solution for:

- Low Producing Wells
- Storage of reverse osmosis output



Large 18" manway for pump maintenance and easy clean out.

Direct access to the bottom of the tank through the manway for pump or filter placement.



Narrow 29" width designed to fit through 30" doorways



Siphon tube easily adjusted to control sediment depth.

Fitting inset to protect during installation.

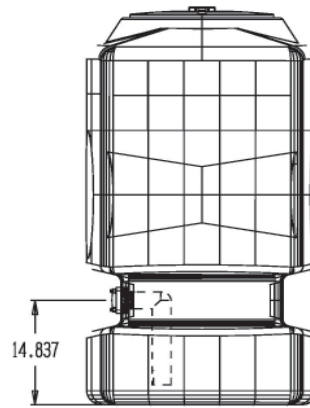
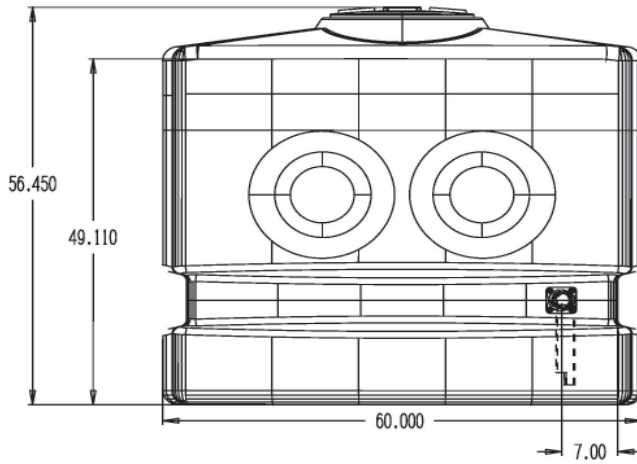
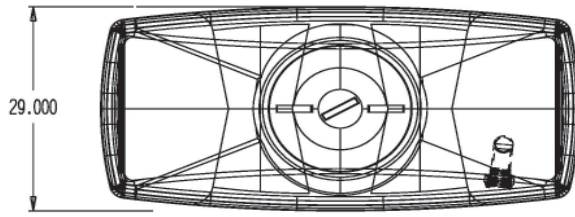
Phone: 402-467-5221 • Fax: 402-465-1220

www.snydernet.com • email: sales@snydernet.com



Corporate Offices: P.O. Box 4583 • Lincoln, Nebraska • 68504

Other manufacturing Locations: Marked Tree, AR • Philippi, WV • Chowchilla, CA • Mancelona, MI

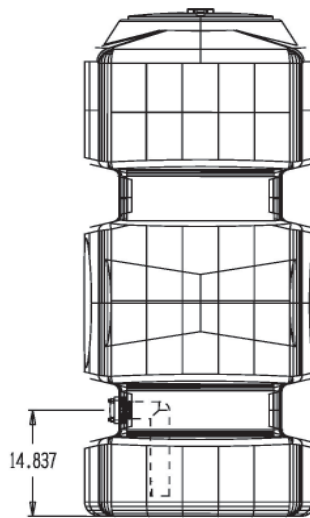
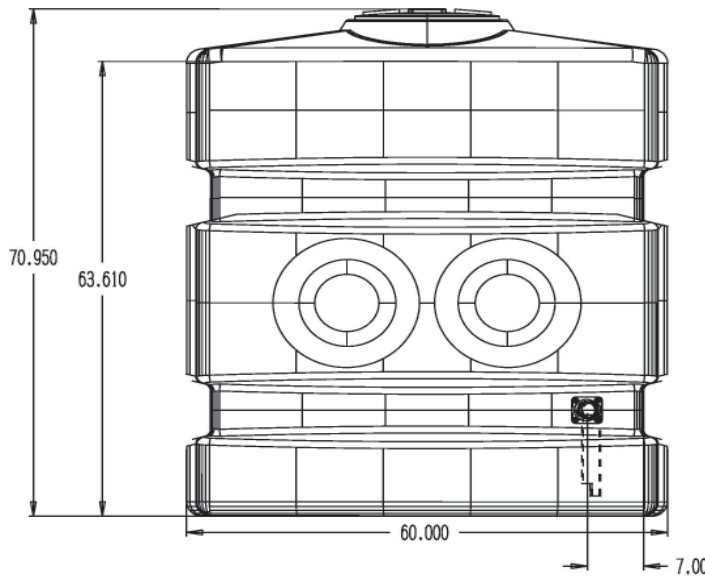
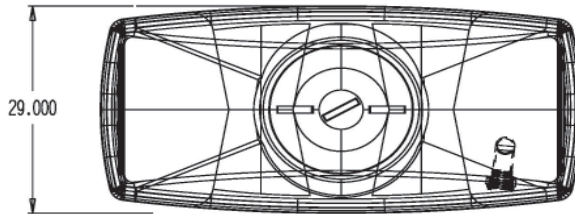


B. 2" PP BOLTED FLANGE FITTING W/EPDM GASKETS AND 2" PP SIPHON TUBE

(all dimensions in inches)

300 Gallon Freestanding Water Tank

PART #S 300 GALLON 1001600W94301



B. 2" PP BOLTED FLANGE FITTING W/EPDM GASKETS AND 2" PP SIPHON TUBE

(all dimensions in inches)

400 Gallon Freestanding Water Tank

PART #S 400 GALLON 1001700W94301