

### Receiving and Inspecting your Tank

- Upon arrival at the destination, the purchaser and/or his agent is responsible for inspecting the tank for damage both before and after unloading. If damage has occurred or parts are missing the purchaser is to...
  - document the issues on the bill of lading.
  - notify the manufacturer immediately.
- Verify the tank part number on the packing slip matches the bar code on the tank delivered.
- **Do not drop a tank off a truck onto hard ground.** Please see the following sections for proper unloading instructions.

### Tank Loading, Unloading, and Positioning

- **NEVER drop or roll a tank off of a truck or a forklift onto hard ground.**
  - **This may damage the tank.**
  - **This will void the warranty.**
- Tanks must be loaded/unloaded either by hand, with a forklift, or with a crane utilizing a spreader bar and nylon slings.
  - Forks are to be protected and/or rounded to prevent damage to the tank.
  - Tanks are to be loaded/unloaded in a horizontal position.
- Water tanks [see figure 1]:
  - Position the tank and/or forklift to be able to fully support the tank between the forks spread apart as needed.
  - Tanks 1500 gallons to 2000 gallons must be loaded/unloaded using minimum 6ft fork extension [except the 1100 narrow (p/n 183--) use 2500gal-3000gal criteria].
  - Tanks 2500 gallons to 3000 gallons must be loaded/unloaded using minimum 8ft fork extensions.
  - Tanks greater than 3000 gallons must be loaded/unloaded using minimum 10ft fork extensions [except 5000 low (p/n 70002--) use 2500gal-3000gal criteria].
  - Tanks are not to be loaded/unloaded by the lifting lugs at the top of the tank
    - A few water tanks are equipped with lifting lugs.

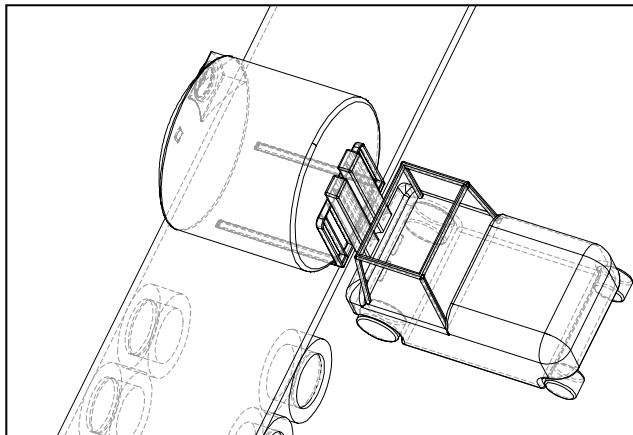


Figure 1

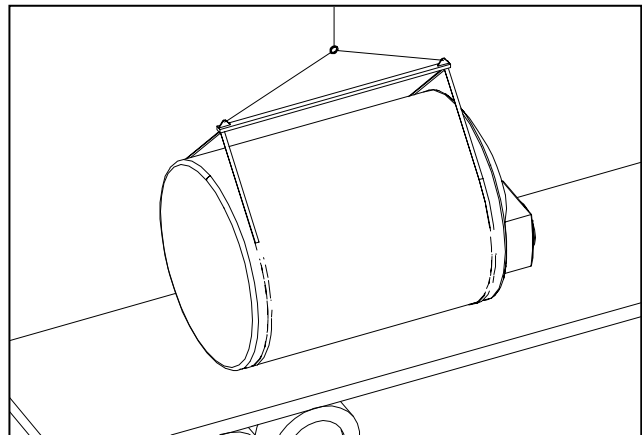


Figure 2

- Dominator/Low Profile septic or cistern tanks [see figure 2 and 3]:
  - Depending on the load, tanks may or may not be banded together.
    - If tanks are banded together:
      - Tanks must be unloaded using minimum 8ft fork extension.
      - Unload the top layer of tanks prior to breaking the banding.
    - If tanks are loaded individually:
      - Fork extensions are not necessary.
      - Unload each tank from the bottom.

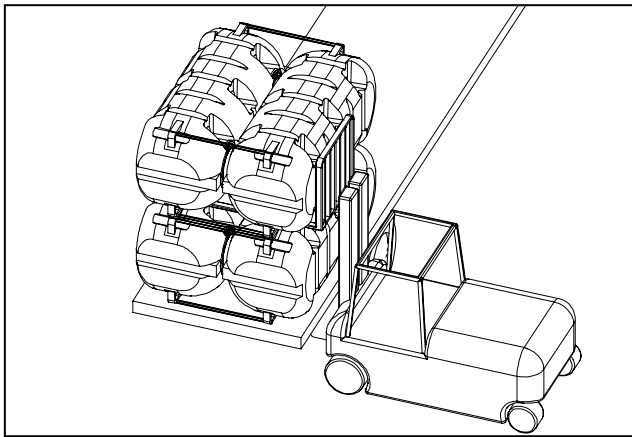


Figure 3

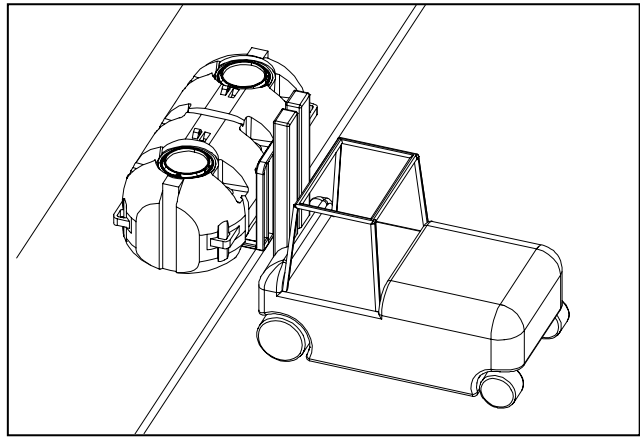


Figure 4

- Ribbed septic or cistern tanks [see figure 5].
  - Depending on the load, tanks may be loaded with or without dunnage and either on end or horizontally.
    - If the tanks are loaded without dunnage and standing on end, the tank must be brought to a horizontal position before unloading.
    - If the tanks are loaded with dunnage and standing on end, the tank must be disconnected from the dunnage then brought to a horizontal position before unloading.
    - If the tanks are loaded with dunnage and loaded horizontally:
      - The top tank must be unloaded first from the dunnage side of the load.
      - The dunnage must then be removed.
        - Be certain the bottom tank does not roll off the tank when removing dunnage.
      - The bottom tank can then be unloaded.

