



## Snyder's Expanded Line of Lid Riser's: 6", 12", & 18"



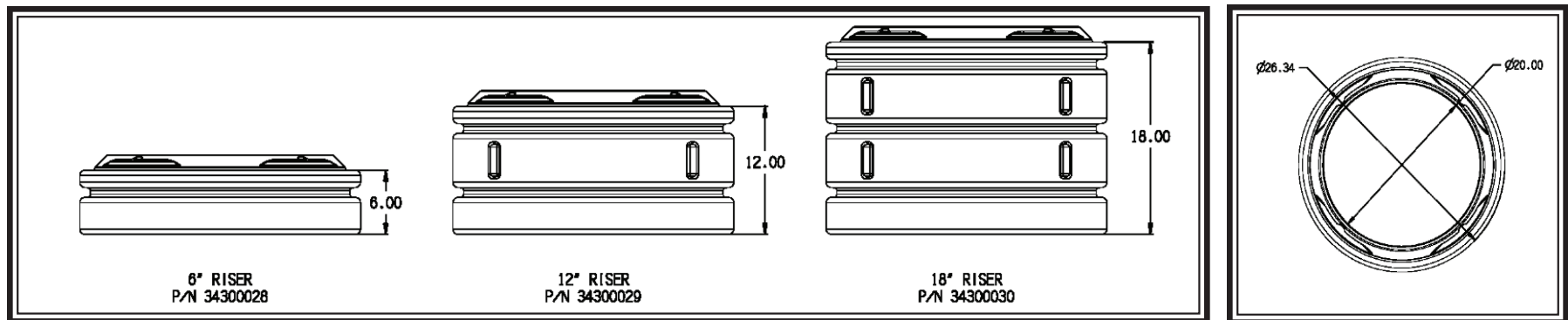
**Features include: Full 20" access.**

**Ribbed Design for superior structural capacity.**

**Sii Patented locking lug interface at the top & bottom of each riser.**

**Interfaces with all Sii septic and cistern tanks and Sii double wall lid.**

**Material meets FDA requirements [21 CFR 177.1520] for food contact.**



Phone: 870-358-3400 • Fax: 870-358-3140 • email: [sales@snydernet.com](mailto:sales@snydernet.com) • [www.snydernet.com](http://www.snydernet.com)



Snyder Industries, Inc.

Corporate Offices: P. O. Box 4583 • Lincoln, Nebraska • 68504

Other Manufacturing Locations: • Lincoln, Nebraska • Philippi, West Virginia • Chowchilla, California • Mancelona, Michigan