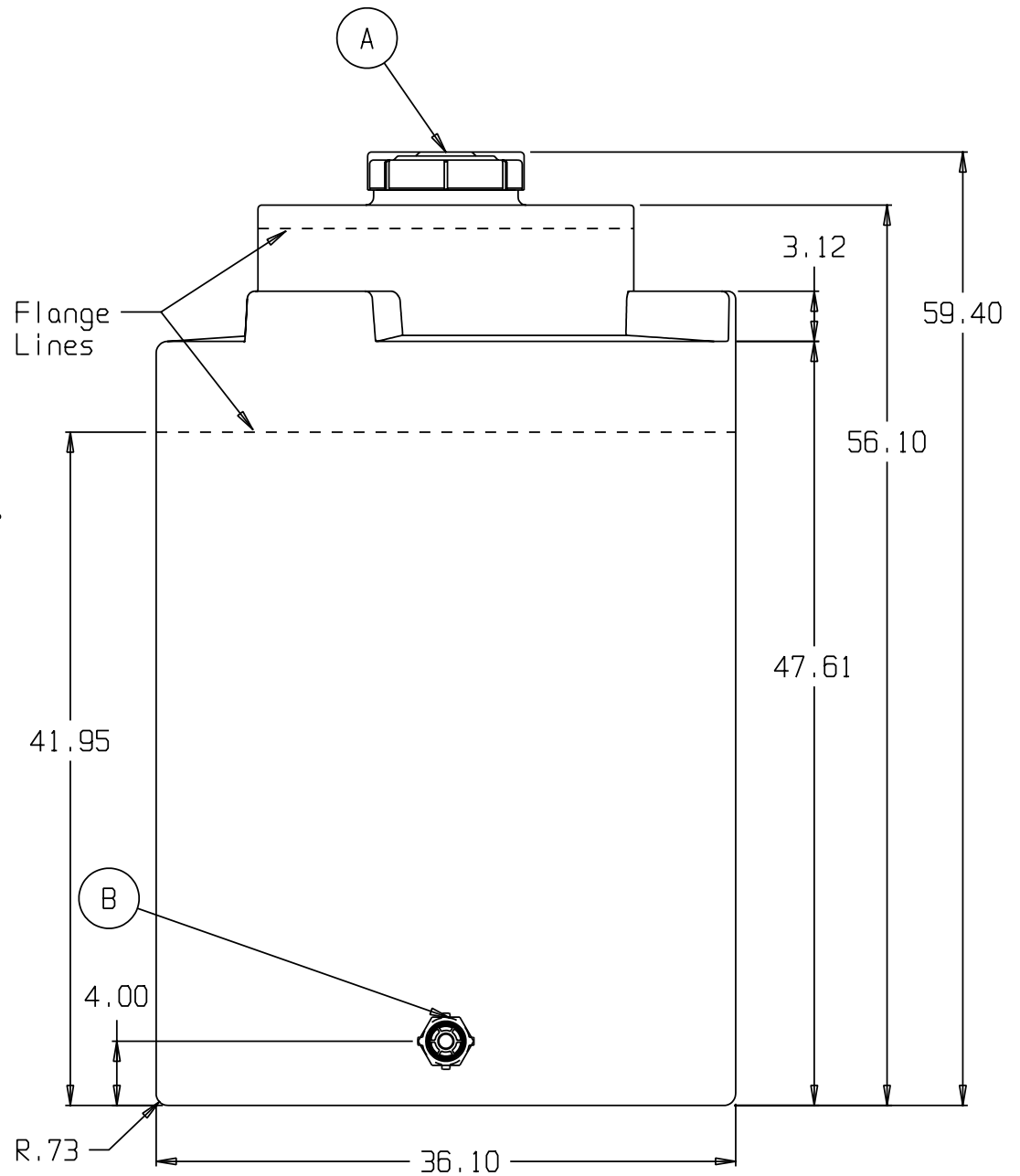
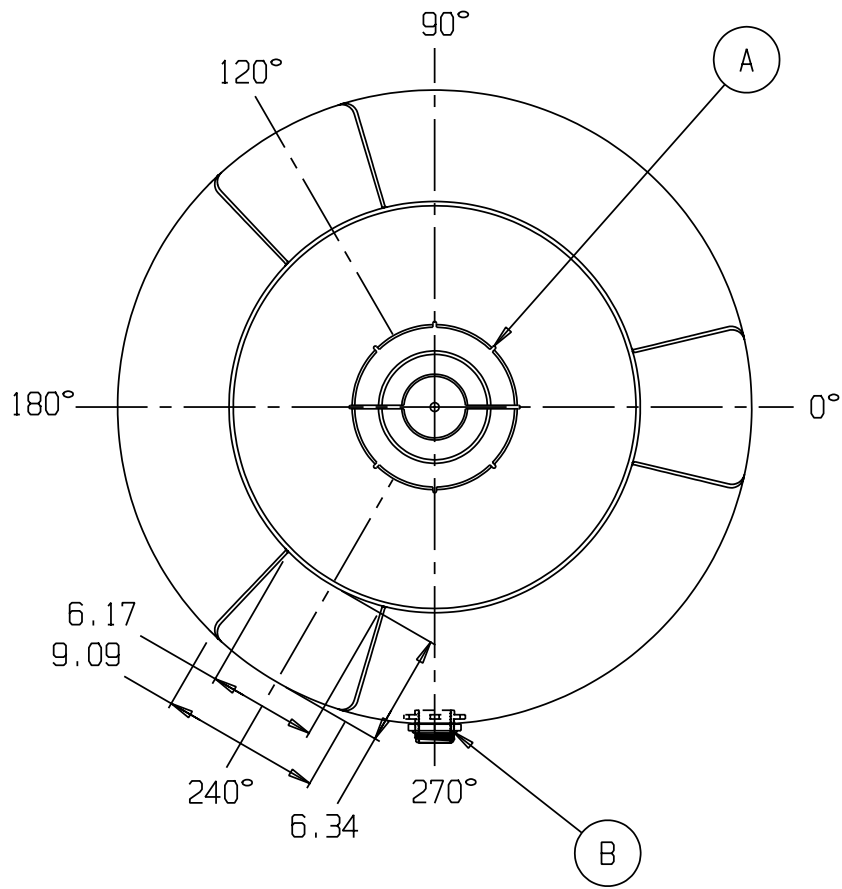


WATER

SNYDER INDUSTRIES INC.



- A. 10" PE THREADED-VENTED FILL CAP W/7" ACCESS [P/N 34700088]
- B. 1-1/2" PP SII THREADED BH FTG W/EPDM GASKET [P/N 34300008]

\* BASE FITTINGS TO BE LEFT INSTALLED AT TIME OF SHIPMENT PER SII PROCEDURE  
 \* Consult Snyder's Guidelines for Use and Installation prior to delivery.  
 Available on-line at [www.snydernet.com](http://www.snydernet.com)

(all dimensions in inches)

PART # TANK: 1540300W943XX (C)  
 HDLPE/NAT/WATER

REF#: 0000 04/27/07

# 200 GALLON FLAT BOTTOM TANK