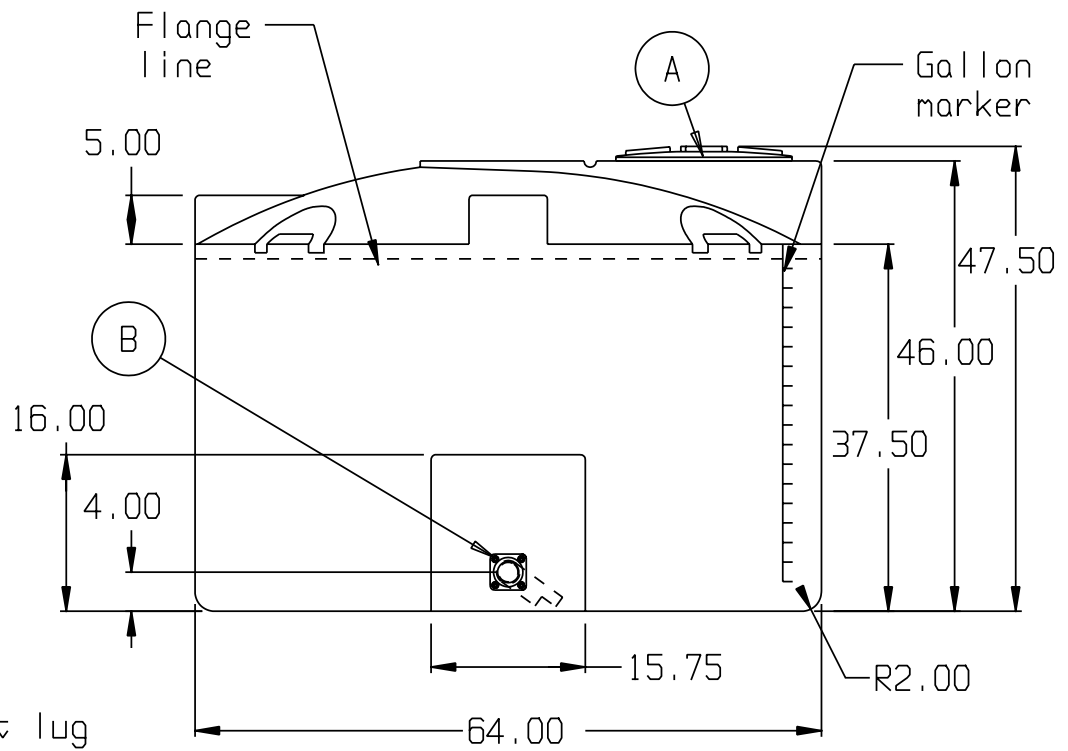
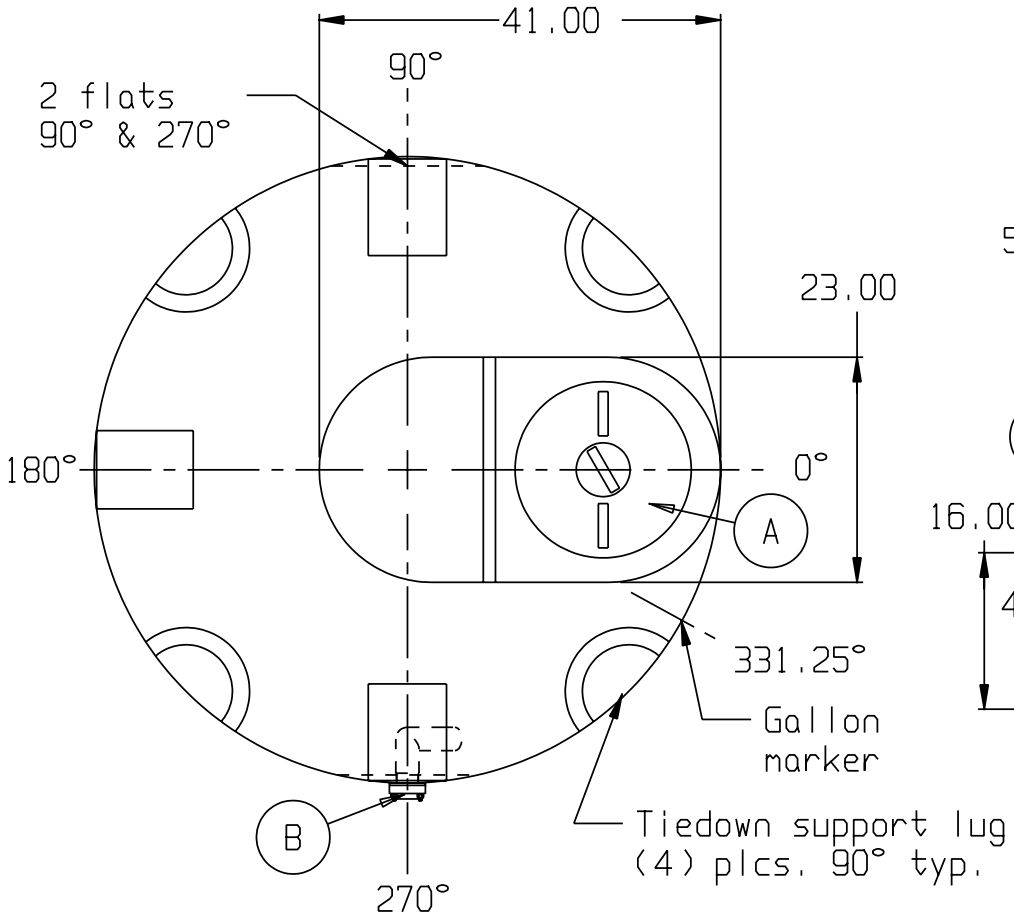


WATER

SNYDER INDUSTRIES INC.



- A. 18" PE THREADED-VENTED MANWAY W/15" ACCESS [P/N 34700087]
- B. 2" PP/PE BOLTED FTG SHORT SIPHON TUBE ASSY W/EPDM GASKETS & SS BOLTS [P/N 34700842]

\* BASE FITTINGS TO BE LEFT INSTALLED AT TIME OF SHIPMENT PER SII PROCEDURE  
 \* Consult Snyder's Guidelines for Use and Installation prior to delivery.  
 Available on-line at [www.snydernet.com](http://www.snydernet.com)

(all dimensions in inches)  
 PART # TANK: 1820000W94301 (L)  
 HDLPE/NAT/WATER  
 REF#: 00000 04/27/07

550 GALLON FLAT BOTTOM TANK