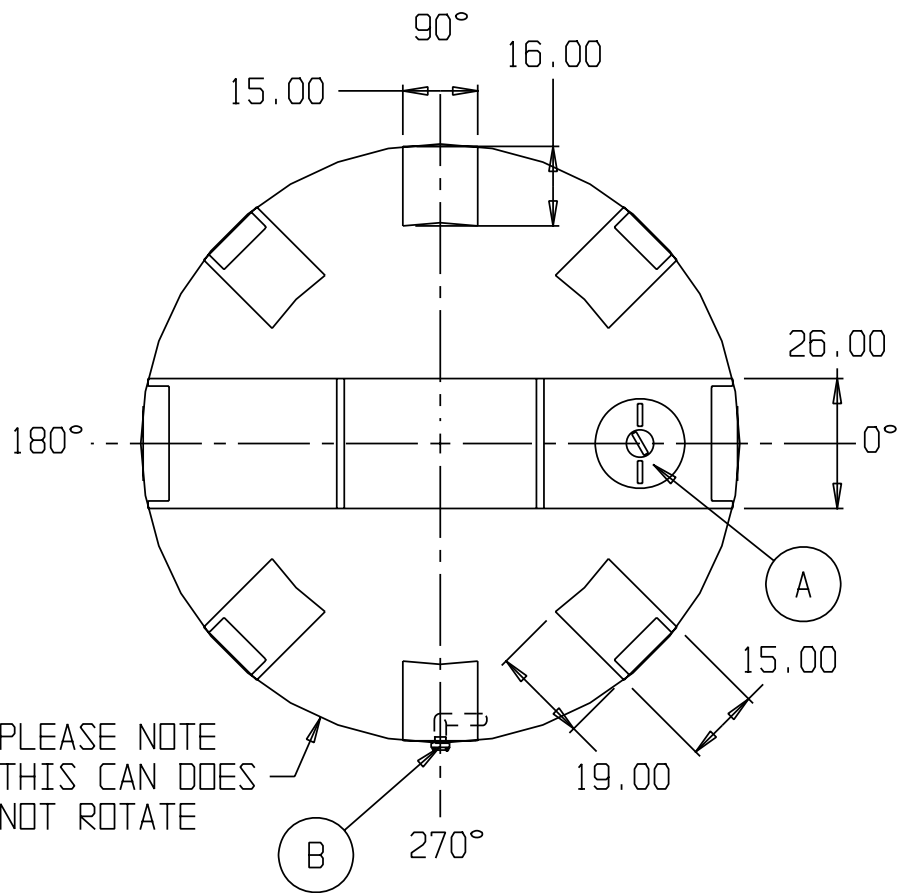
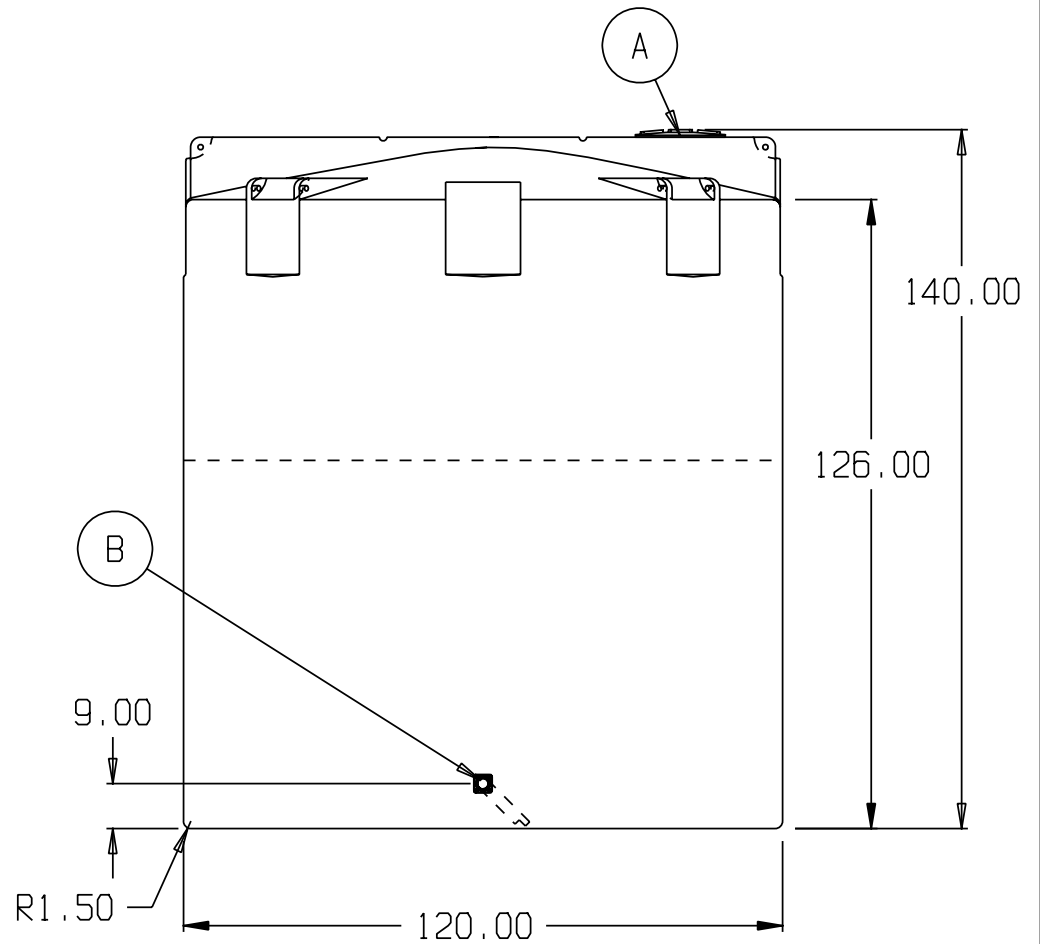


WATER



PLEASE NOTE THIS CAN DOES NOT ROTATE



- A. 18" PE THREADED-VENTED MANWAY W/15" ACCESS [P/N 34700087]
- B. 2" PP DBL FLANGED BOLTED LONG SIPHON TUBE ASSY W/EPDM GASKETS & SS BOLTS [P/N 34700841]

* BASE FITTINGS TO BE LEFT INSTALLED AT TIME OF SHIPMENT PER SII PROCEDURE
 * Consult Snyder's Guidelines for Use and Installation prior to delivery.
 Available on-line at www.snydernet.com

(all dimensions in inches)
 PART # TANK: 8220000W94301 (M)
 HDLPE/NATURAL/WATER

REF#: 00000 12/10/09

6,200 GALLON VERTICAL WATER STORAGE TANK

SNYDER INDUSTRIES INC.