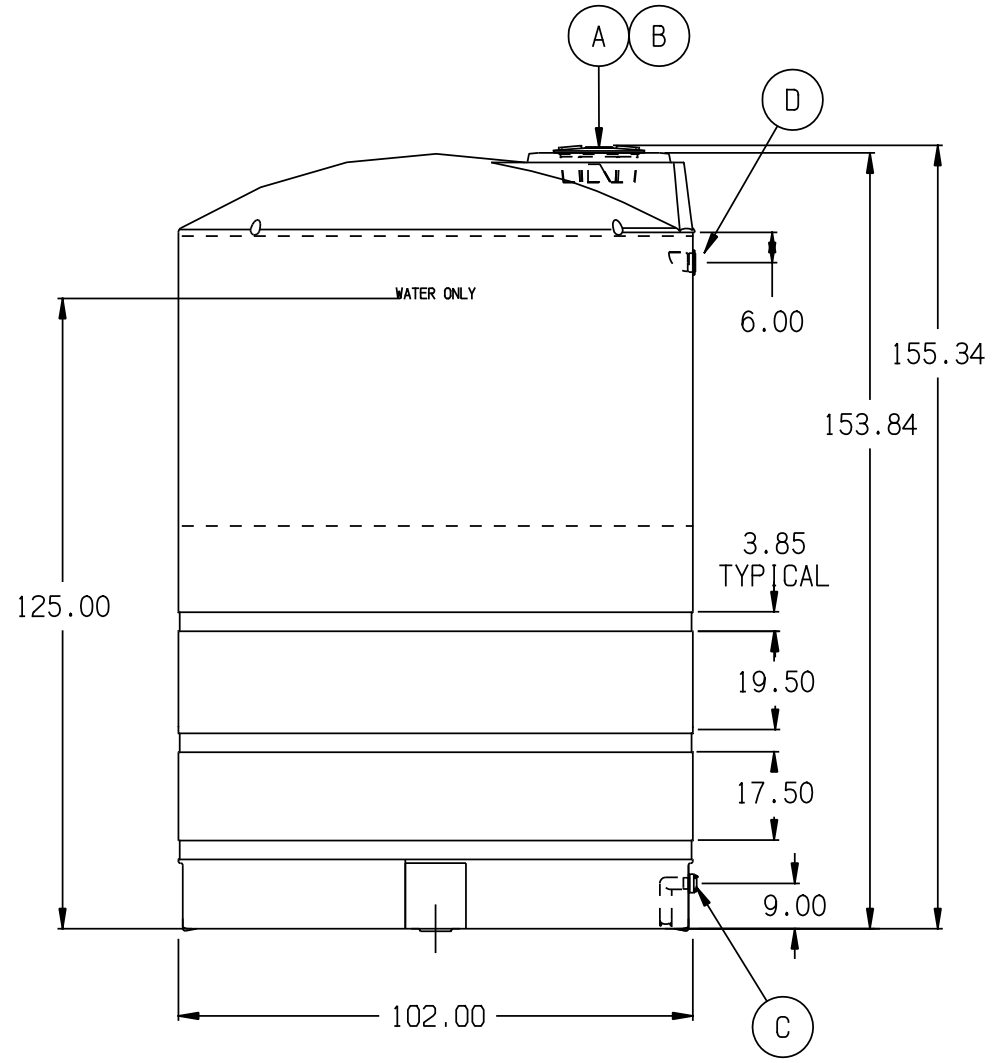
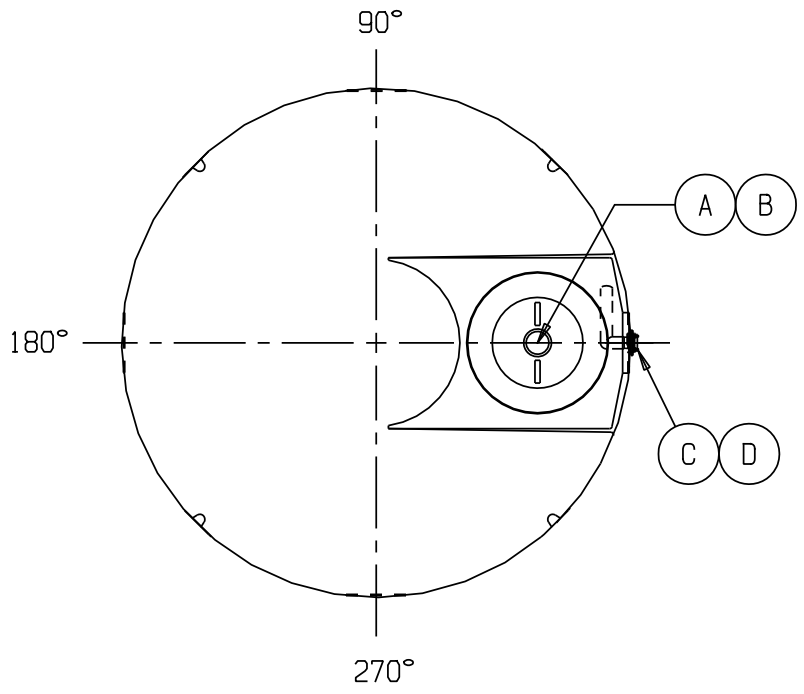


WATER

SNYDER INDUSTRIES INC.



- A. 18" PP THREADED NON-VENTED MANWAY UNICO [P/N 34701537]
- A. RAIN HARVEST STRAINER BASKET [P/N 30200015]
- B. 4" RUBBER GASKET [P/N 33100217]
- C. 2" PP DBL FLANGED BOLTED LONG SIPHON TUBE ASSY W/EPDM GASKETS & SS BOLTS [P/N 34700841]
- D. 3" RAIN HARVEST OUTLET [P/N 30200016]
- E. 3" RAIN HARVEST STOPPA FLAP VALVE [P/N 30200017]-NOT SHOWN-SHIPED LOOSE

* BASE FITTINGS TO BE LEFT INSTALLED AT TIME OF SHIPMENT PER SII PROCEDURE
 * Consult Snyder's Guidelines for Use and Installation prior to delivery.
 Available on-line at www.snydernet.com

(all dimensions in inches)
 PART # TANK: 8210000W91601, 94202, 99802 (M)
 HDLPE/TAN, BLK, OR GDD

5,000 GALLON RAIN HARVESTING WATER TANK [TAN, BLK, OR GDD]

REF#: 0000 05/05/10