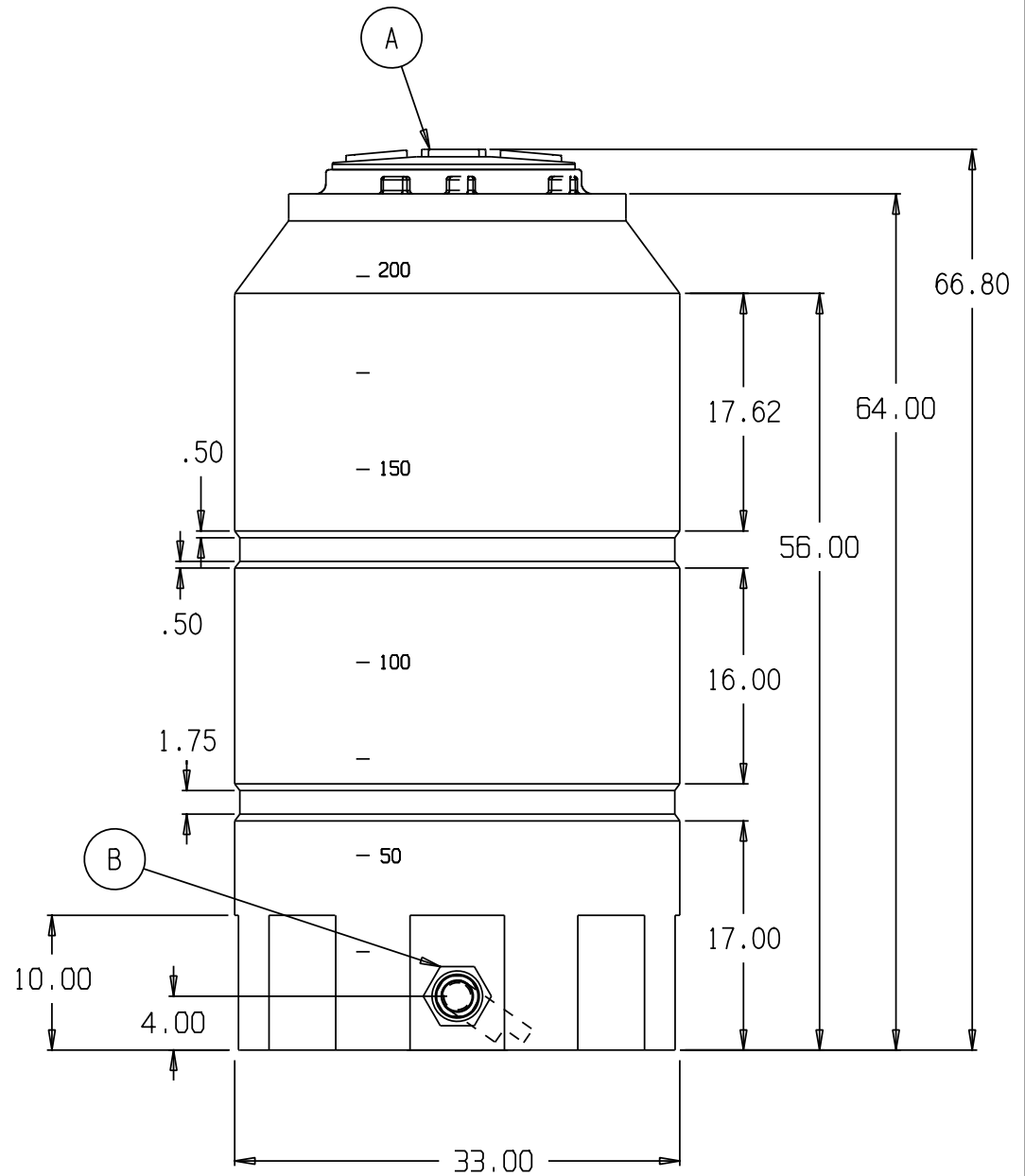
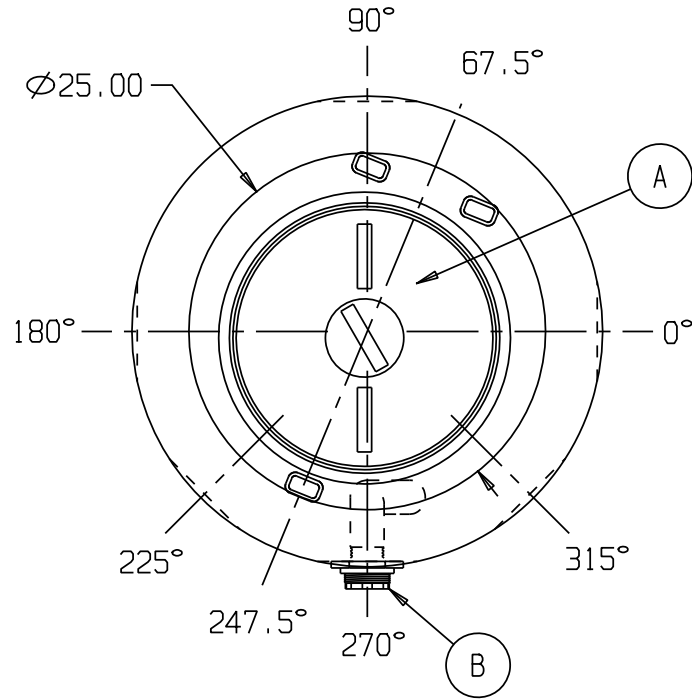


WATER

SNYDER INDUSTRIES INC.



- A. 18" PE THREADED-VENTED MANWAY W/15" ACCESS [P/N 34700087]
- B. 2" PP THREADED BH SHORT SIPHON TUBE ASSY W/EPDM GASKET [P/N 34700840]

* BASE FITTINGS TO BE LEFT INSTALLED AT TIME OF SHIPMENT PER SII PROCEDURE
 * Consult Snyder's Guidelines for Use and Installation prior to delivery.
 Available on-line at www.snydernet.com

(all dimensions in inches)
 PART # TANK: 8020000W94301 (M)
 HDLPE/NAT/WATER

REF#: 00000 01/08/10

210 GALLON WATER TANK