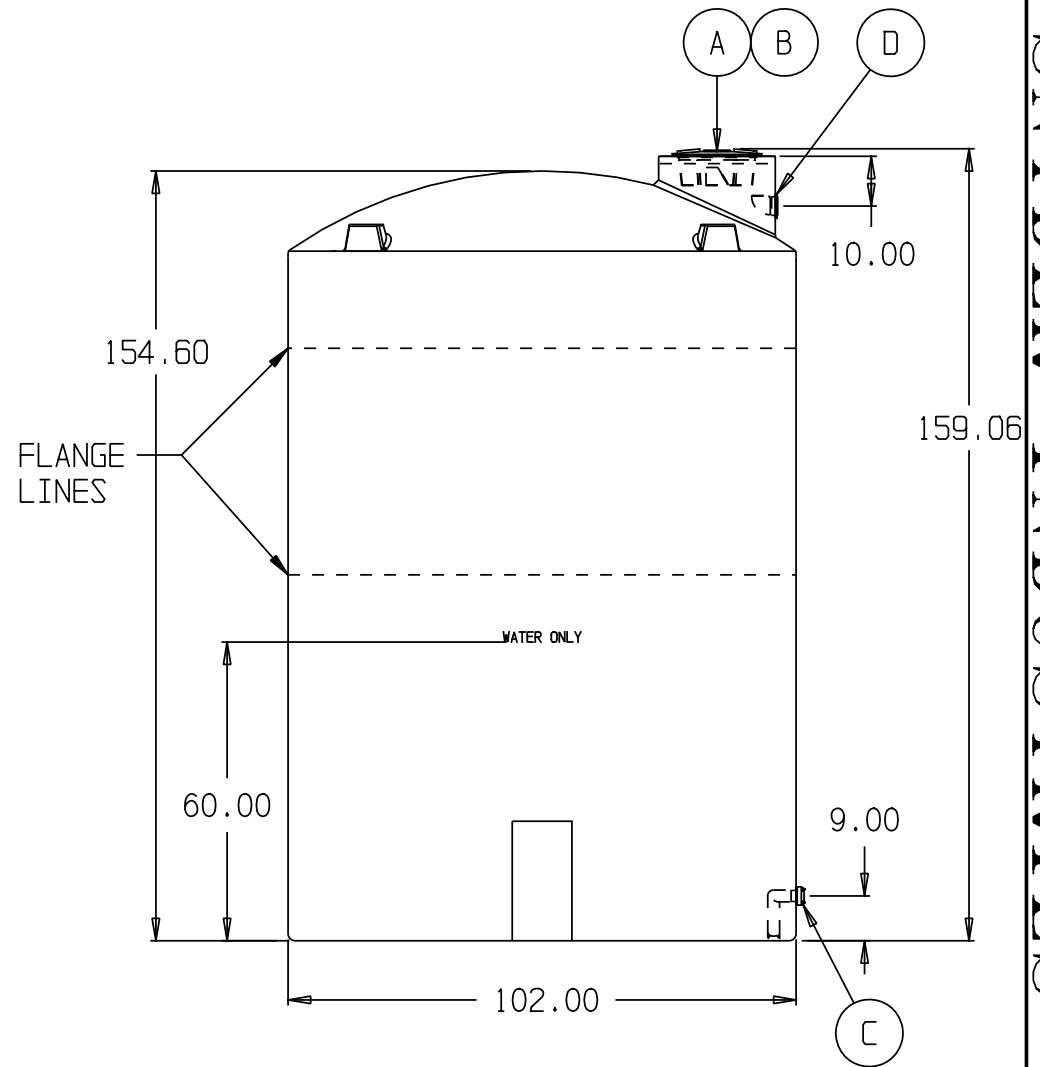
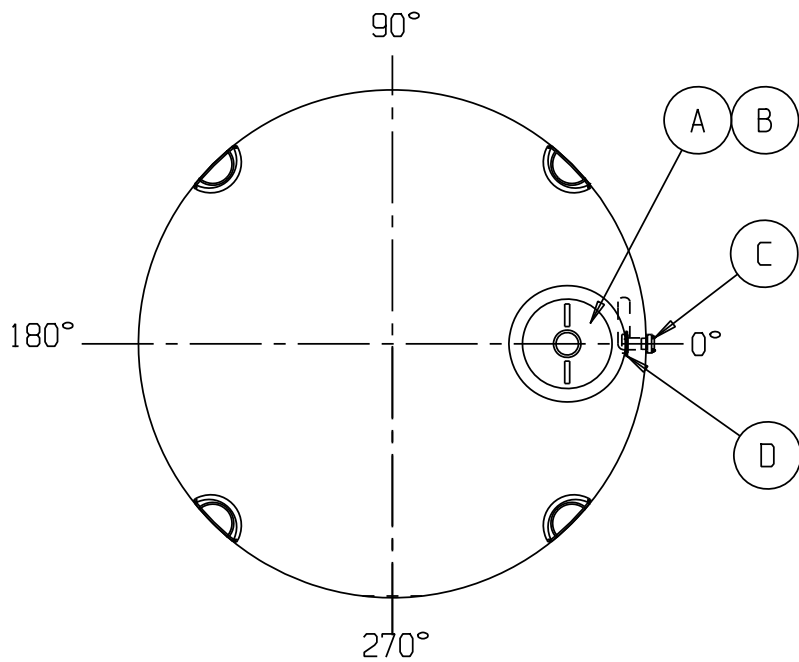


WATER

SNYDER INDUSTRIES INC.



- A. 18" PP THREADED NON-VENTED MANWAY UNICO [P/N 34701537]
- A. RAIN HARVEST STRAINER BASKET [P/N 30200015]
- B. 4" RUBBER GASKET [P/N 33100217]
- C. 2" PP DBL FLANGED BOLTED LONG SIPHON TUBE ASSY W/EPDM GASKETS & SS BOLTS [P/N 34700841]
- D. 3" RAIN HARVEST OUTLET [P/N 30200016]
- E. 3" RAIN HARVEST STOPPA FLAP VALVE [P/N 302000]-NOT SHOWN-SHIPED LOOSE

\* BASE FITTINGS TO BE LEFT INSTALLED AT TIME OF SHIPMENT PER SII PROCEDURE  
 \* Consult Snyder's Guidelines for Use and Installation prior to delivery.  
 Available on-line at [www.snydernet.com](http://www.snydernet.com)

(all dimensions in inches)

PART # TANK: 7420100W91603, 94206, 99807 (C)  
 HDLPE/TAN, BLK, OR GDD

REF#: 00000

10/26/09

5,000 GALLON RAIN HARVESTING WATER TANK [TAN, BLK, OR GDD]