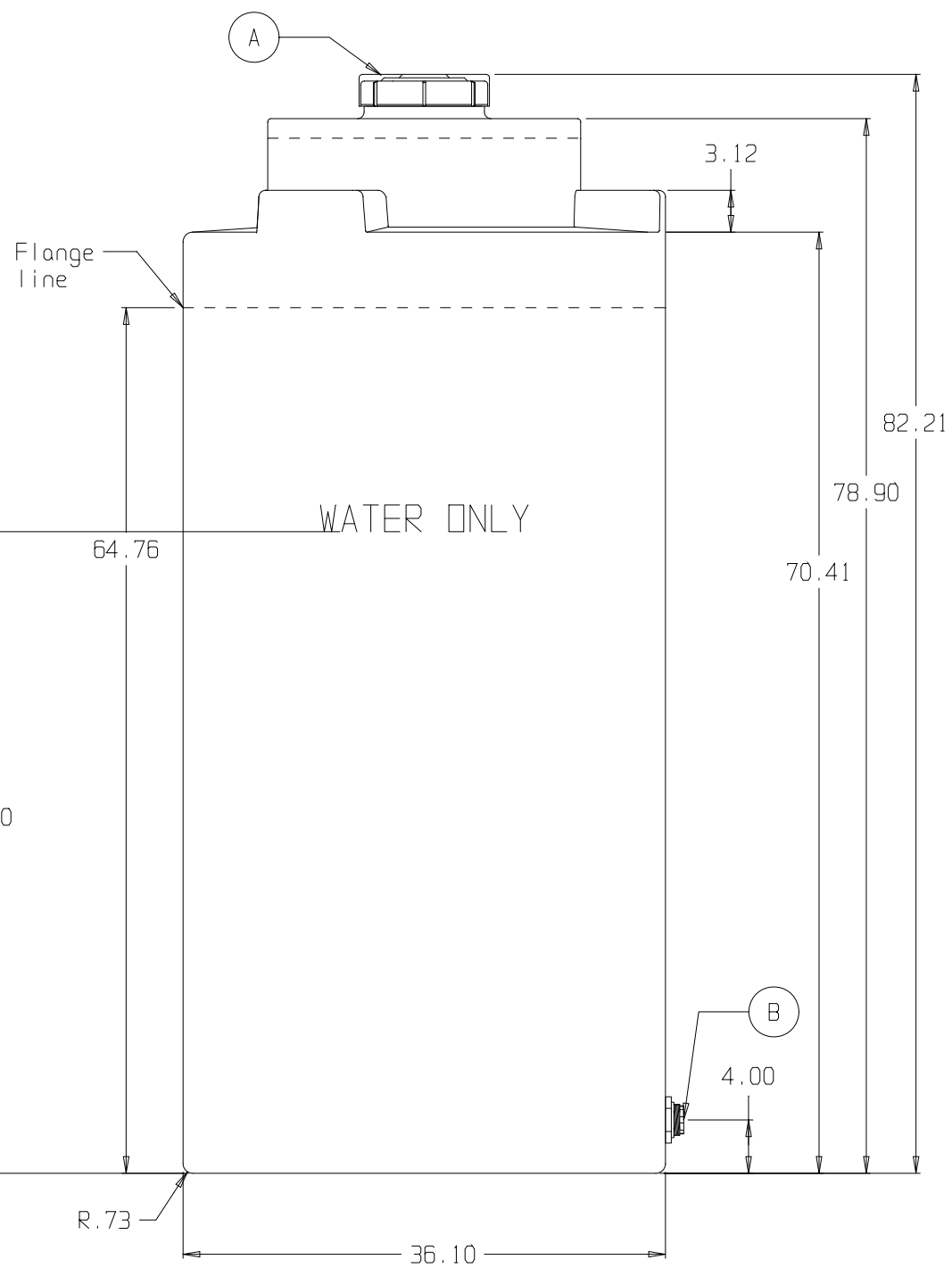
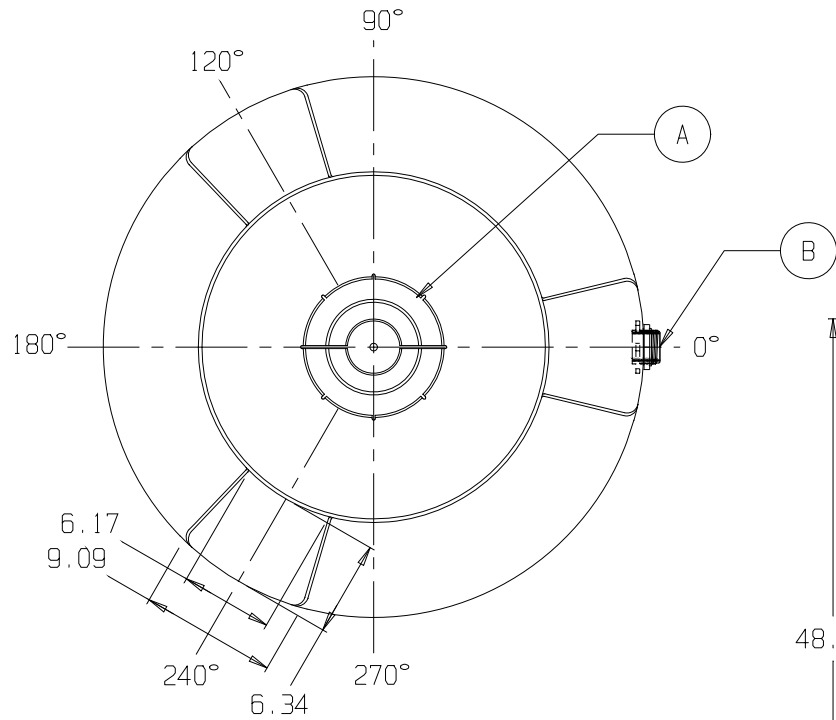


WATER



- A. 10" PE THREADED-VENTED FILL CAP W/7" ACCESS [P/N 34700088]
- B. 1-1/2" PE SII THREADED BH FTG W/EPDM GASKET [P/N 34300008]

* BASE FITTINGS TO BE LEFT INSTALLED AT TIME OF SHIPMENT PER SII PROCEDURE

(all dimensions in inches)

PART #	TANK: 1630100W942xx \$ 99802
REF#:	00000

300 VERTICAL WATER TANK [BLK & GDD]

SNYDER INDUSTRIES INC.