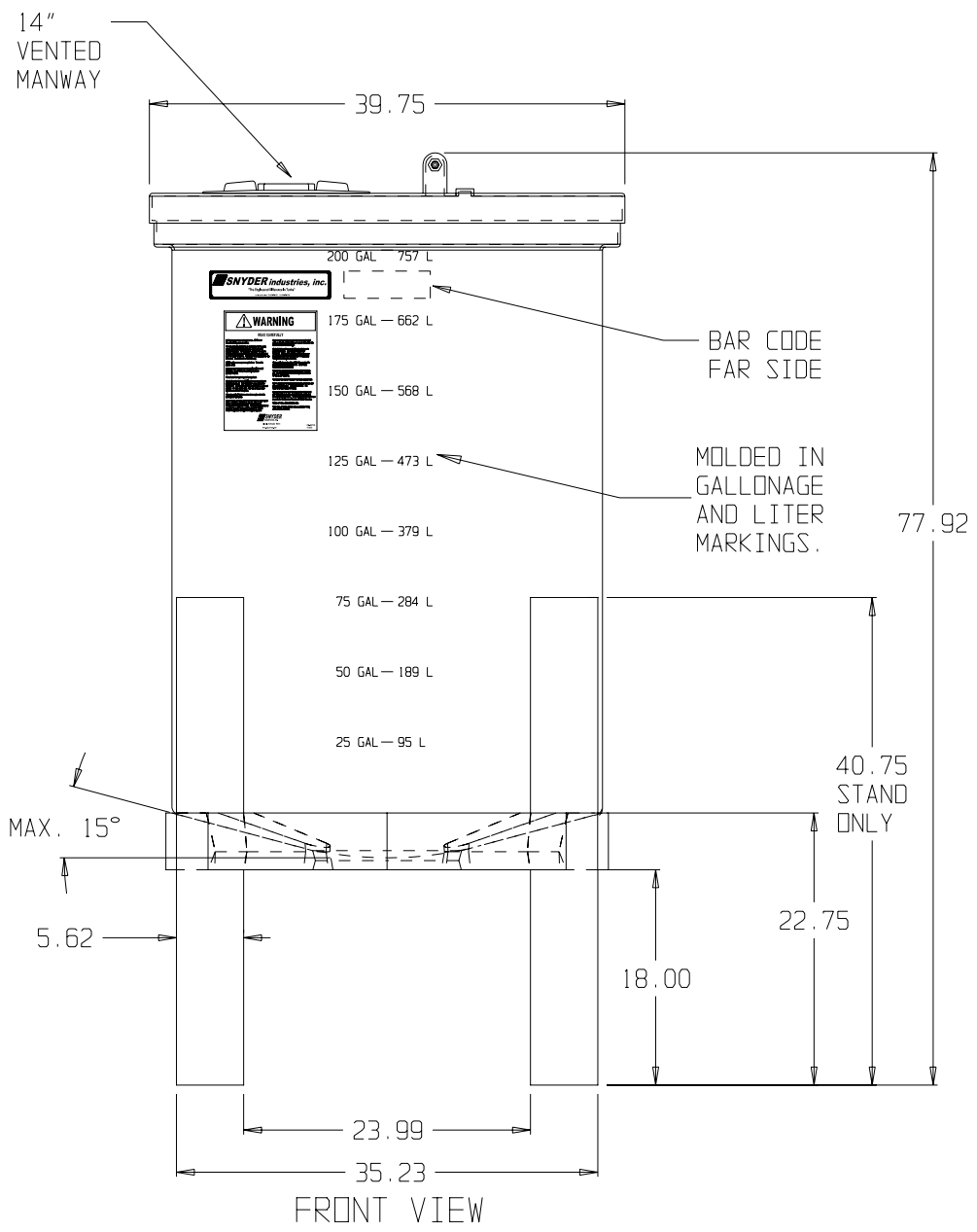


TOP VIEW



FRONT VIEW

* BASE FITTINGS TO BE LEFT INSTALLED AT TIME OF SHIPMENT PER SII PROCEDURE
 * Consult Snyder's Guidelines for Use and Installation prior to delivery.
 Available on-line at www.snydernet.com

PATENT #7,059,575
 (all dimensions in inches)

PART # TANK: 5830000N--L

STAND: 1730001N--L

REF#: 0000

01/05/04

200 GALLON CLOSED TOP TOTAL DRAIN TANK W/36" x 18" STAND