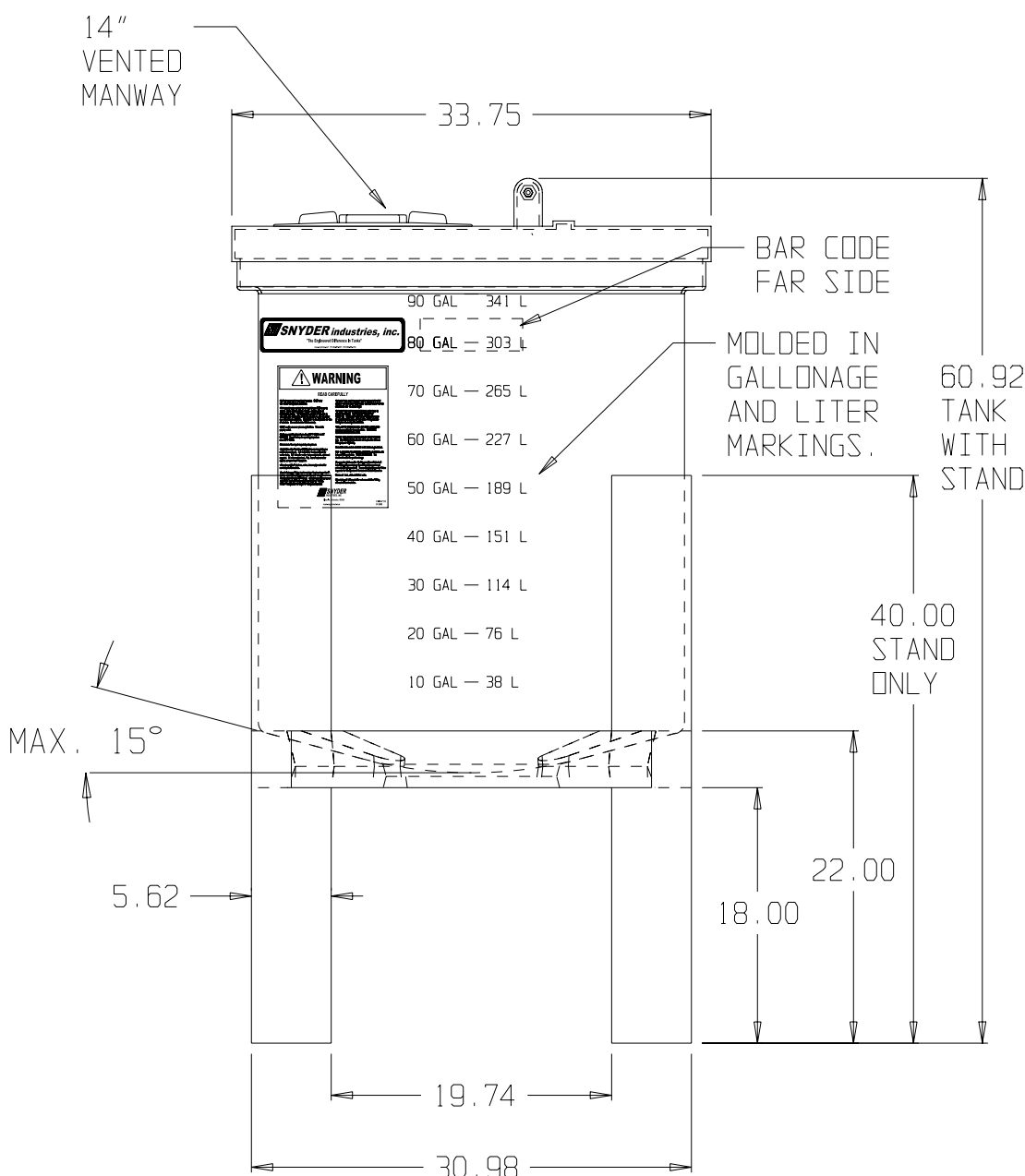


TOP VIEW



FRONT VIEW

\* BASE FITTINGS TO BE LEFT INSTALLED AT TIME OF SHIPMENT PER SII PROCEDURE  
 \* Consult Snyder's Guidelines for Use and Installation prior to delivery.  
 Available on-line at [www.snydernet.com](http://www.snydernet.com)

PATENT #7,059,575

(all dimensions in inches)

PART # TANK: 580000N--L

STAND: 169000N--L

REF#: 0000

01/05/04

90 GALLON CLOSED TOP TOTAL DRAIN TANK W/30" x 18" STAND