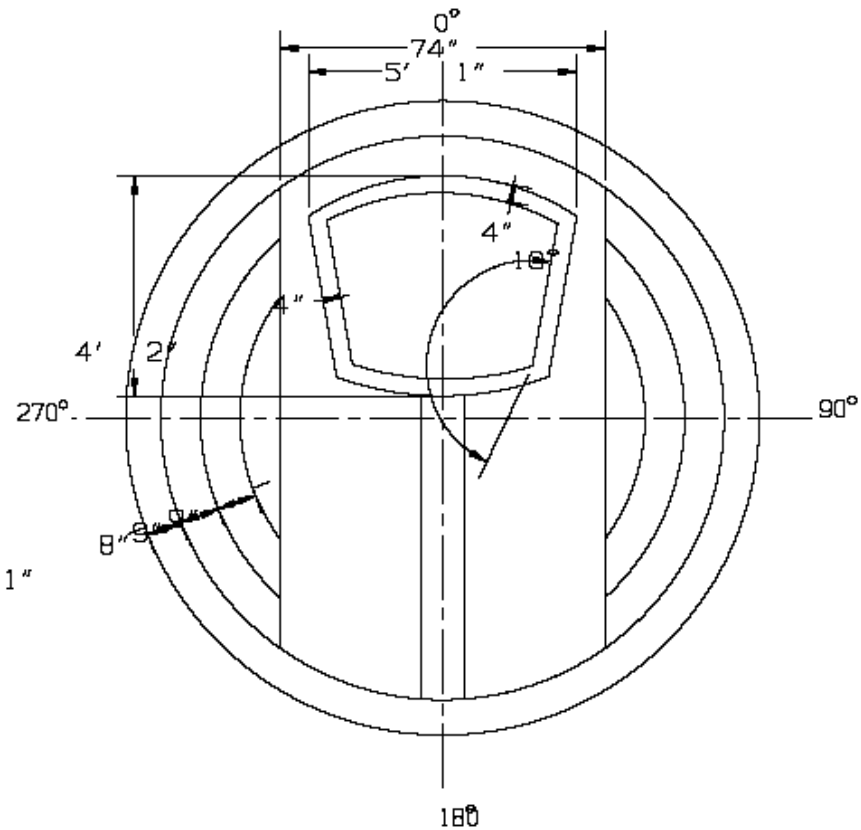


ELEVATION VIEW



PLAN VIEW

* BASE FITTINGS TO BE LEFT INSTALLED AT TIME OF SHIPMENT PER SII PROCEDURE
 * Consult Snyder's Guidelines for Use and Installation prior to delivery.
 Available on-line at www.snydernet.com

9,100 GALLON OLIVE TANK

TANK: 5320400N-- (CH)
 INNER LID: 1790300N-- (CH)
 OUTER LID: 1790400N-- (CH)
 REF#: 00000