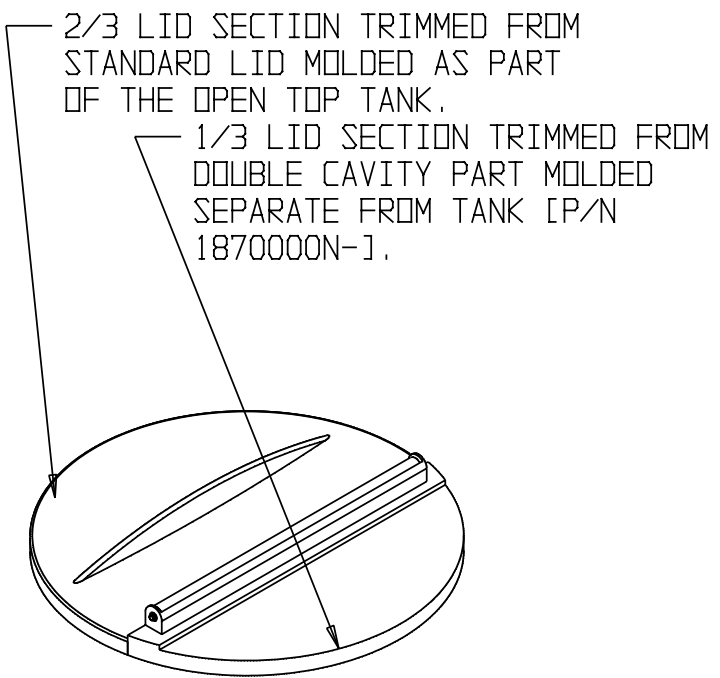
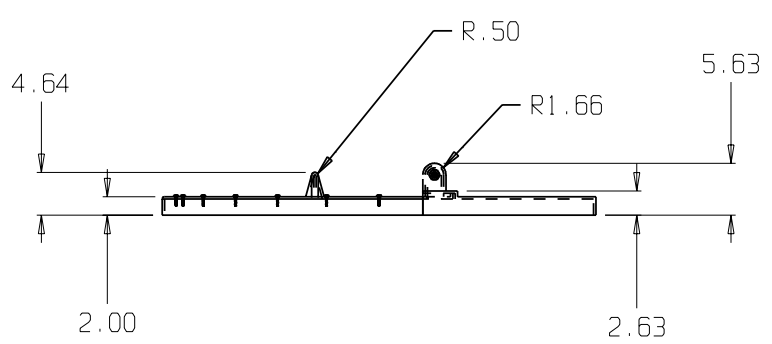


1/4-20 x 1" HEX HEAD BOLT - 13 TYP.

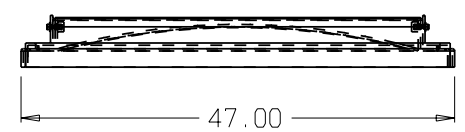
TOP VIEW



ISOMETRIC VIEW



FRONT VIEW



SIDE VIEW

COMPLETE HINGED LID ASSEMBLY FOR A 42" DIA. TANK (AFTER TRIMMING)

* Consult Snyder's Guidelines for Use and Installation prior to delivery.
Available on-line at www.snydernet.com

(all dimensions in inches)

PART # LID: 1870000N-- (L)

42" DIA. HINGED LID FOR OPEN TOP TANK

REF#: 00000

11/29/05