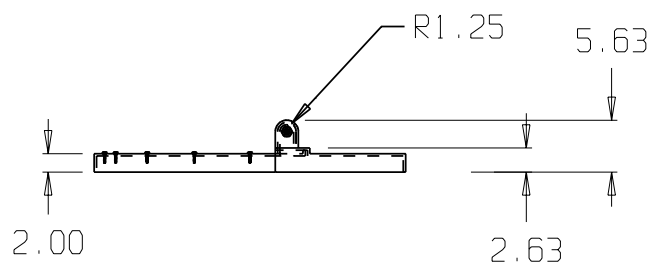
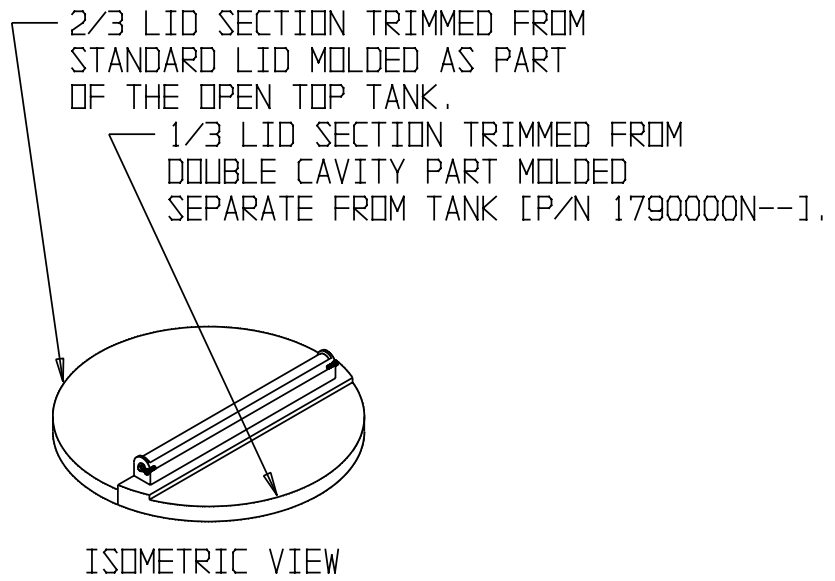
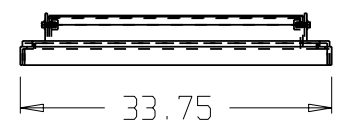


TOP VIEW



FRONT VIEW



SIDE VIEW

COMPLETE HINGED LID ASSEMBLY FOR A 30" DIA. TANK (AFTER TRIMMING)

* Consult Snyder's Guidelines for Use and Installation prior to delivery.
 Available on-line at www.snydernet.com

(all dimensions in inches)
 PART # TANK: 1790000N--

30" DIA. HINGED LID FOR OPEN TOP TANK