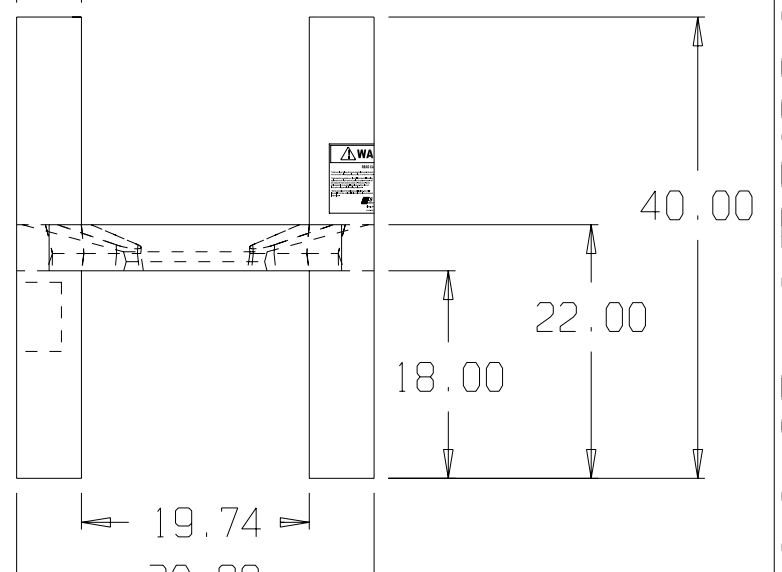
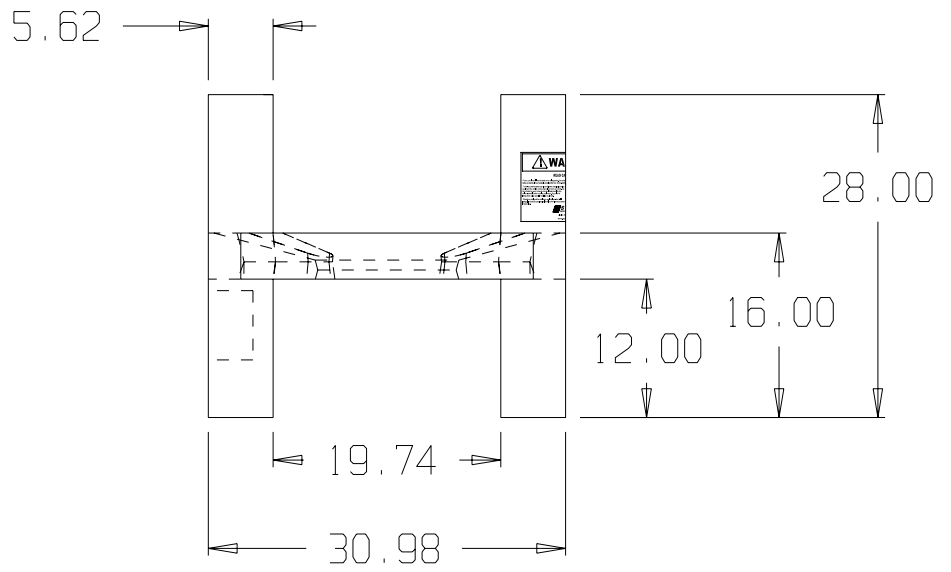


PATENT #7,059,575 MOLDED IN HERE BOTH TOP AND BOTTOM SIDES IS TO BE INKED WITH BLACK INK

PATENT #7,059,575 MOLDED IN HERE BOTH TOP AND BOTTOM SIDES IS TO BE INKED WITH BLACK INK



12" LEG VERSION

18" LEG VERSION

- * REMOVE CAPPLUG LEG PROTECTORS BEFORE STAND INSTALLATION.
 - * Consult Snyder's Guidelines for Use and Installation prior to delivery.
- Available on-line at www.snyder.net.com

(all dimensions in inches)

PART # 12" STAND: 1690000N--
18" STAND: 1690001N--

REF#: 00000

12/31/03

STAND FLAT/CONE 30" DIA.