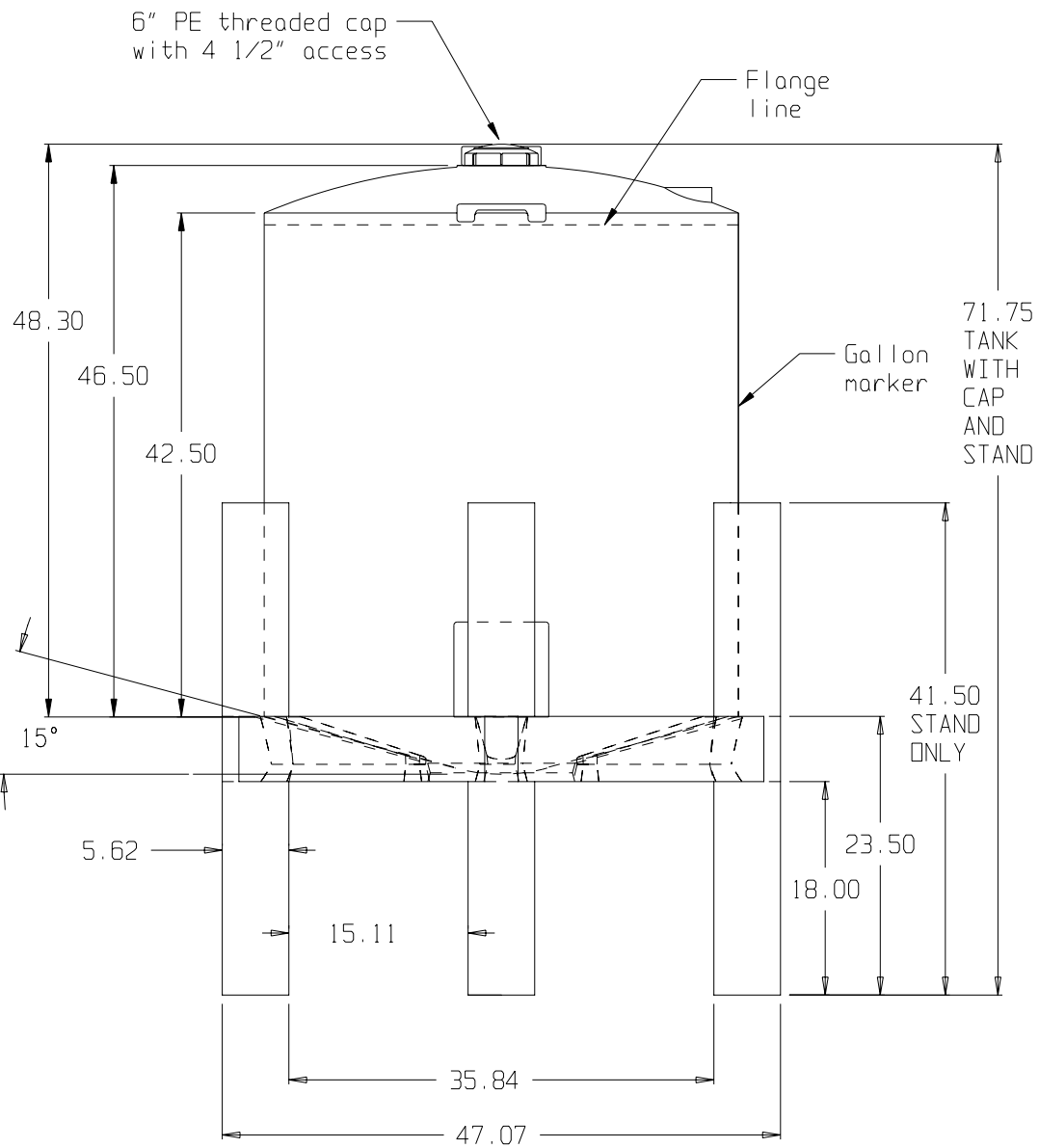


TOP VIEW



FRONT VIEW

Note:
 Tank does not fit securely in stand and the two should not be moved with forklift when tank is loaded.

* BASE FITTINGS TO BE LEFT INSTALLED AT TIME OF SHIPMENT PER SII PROCEDURE
 * Consult Snyder's Guidelines for Use and Installation prior to delivery.
 Available on-line at www.snydernet.com

PATENT #7,059,575
 (all dimensions in inches)

PART # TANK: 1540100N--

STAND: 1750000N--

REF#: 00000

03/07/05

200 GALLON TOTAL DRAIN TANK W/42" x 18" STAND