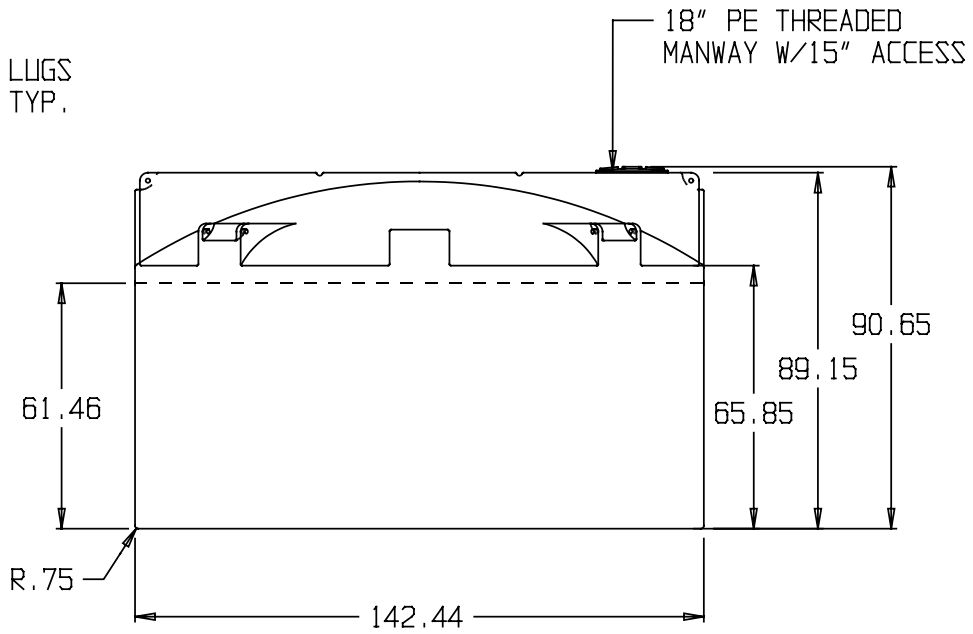


TIE-DOWN LUGS  
8 PLACES TYP.



\* BASE FITTINGS TO BE LEFT INSTALLED AT TIME OF SHIPMENT PER SII PROCEDURE  
 \* Consult Snyder's Guidelines for Use and Installation prior to delivery.  
 Available on-line at [www.snydernet.com](http://www.snydernet.com)

(all dimensions in inches)

PART # TANK: H700040000--

4,500 GALLON FLAT BOTTOM TANK

REF#: 0000

10/05/04