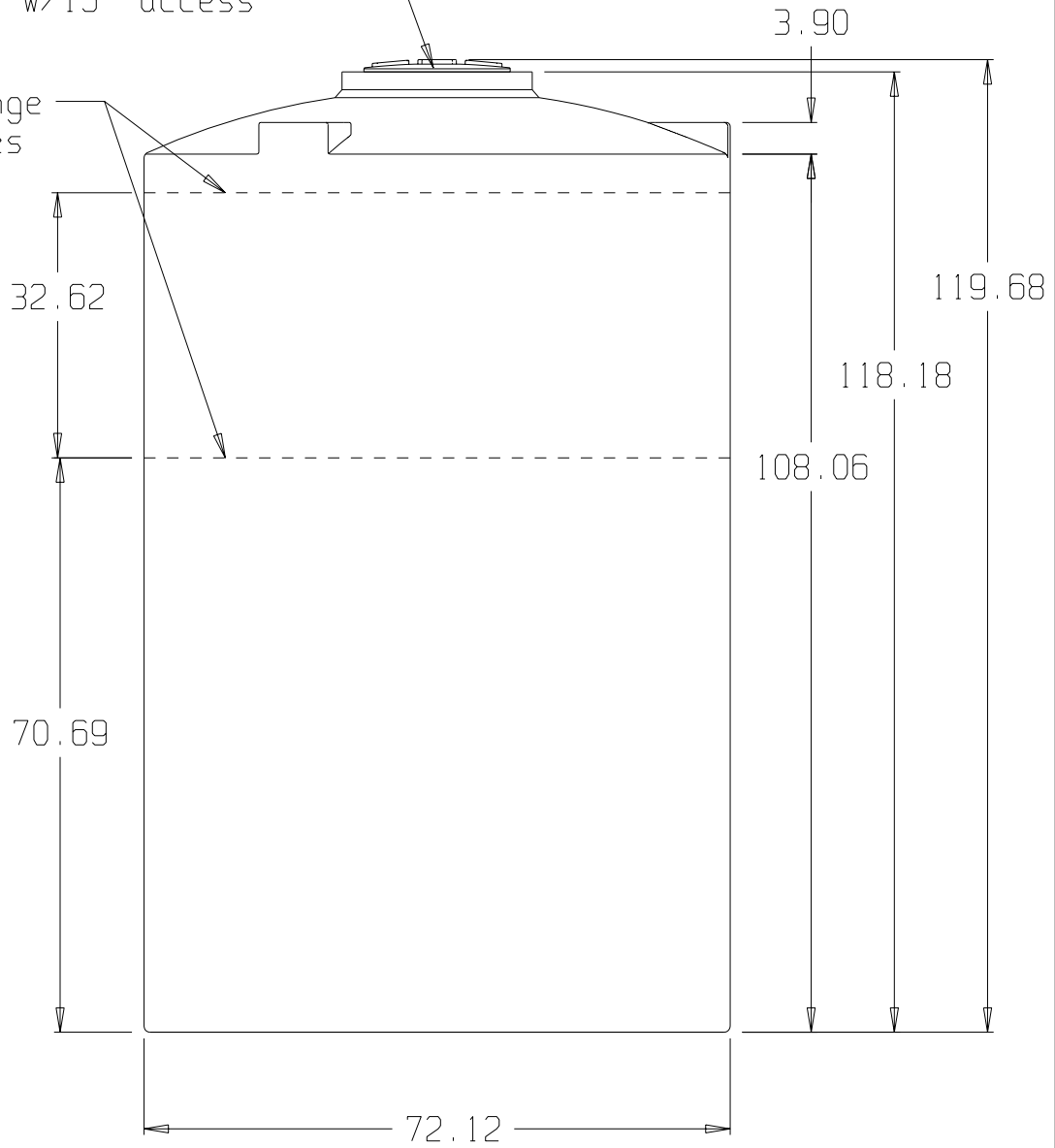
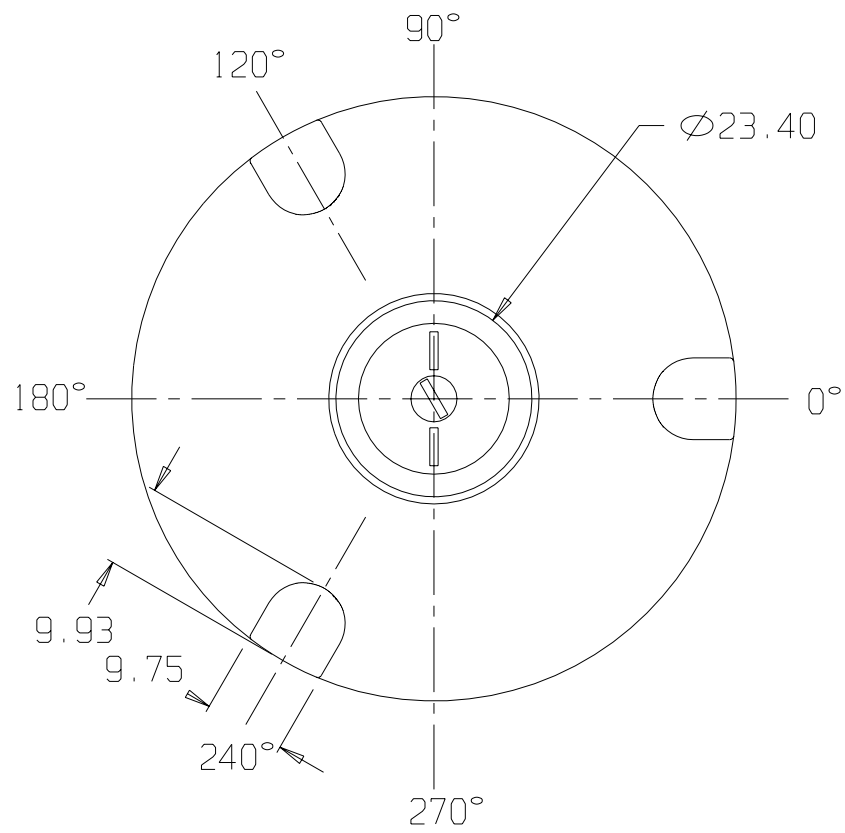


18" PE threaded manway cover w/15" access

Flange Lines



(all dimensions in inches)

BASE FITTINGS TO BE LEFT INSTALLED AT TIME OF SHIPMENT PER SII PROCEDURE

PART # TANK: H178010000--

1,900 GALLON FLAT BOTTOM TANK

REF#: 0000

11/18/02