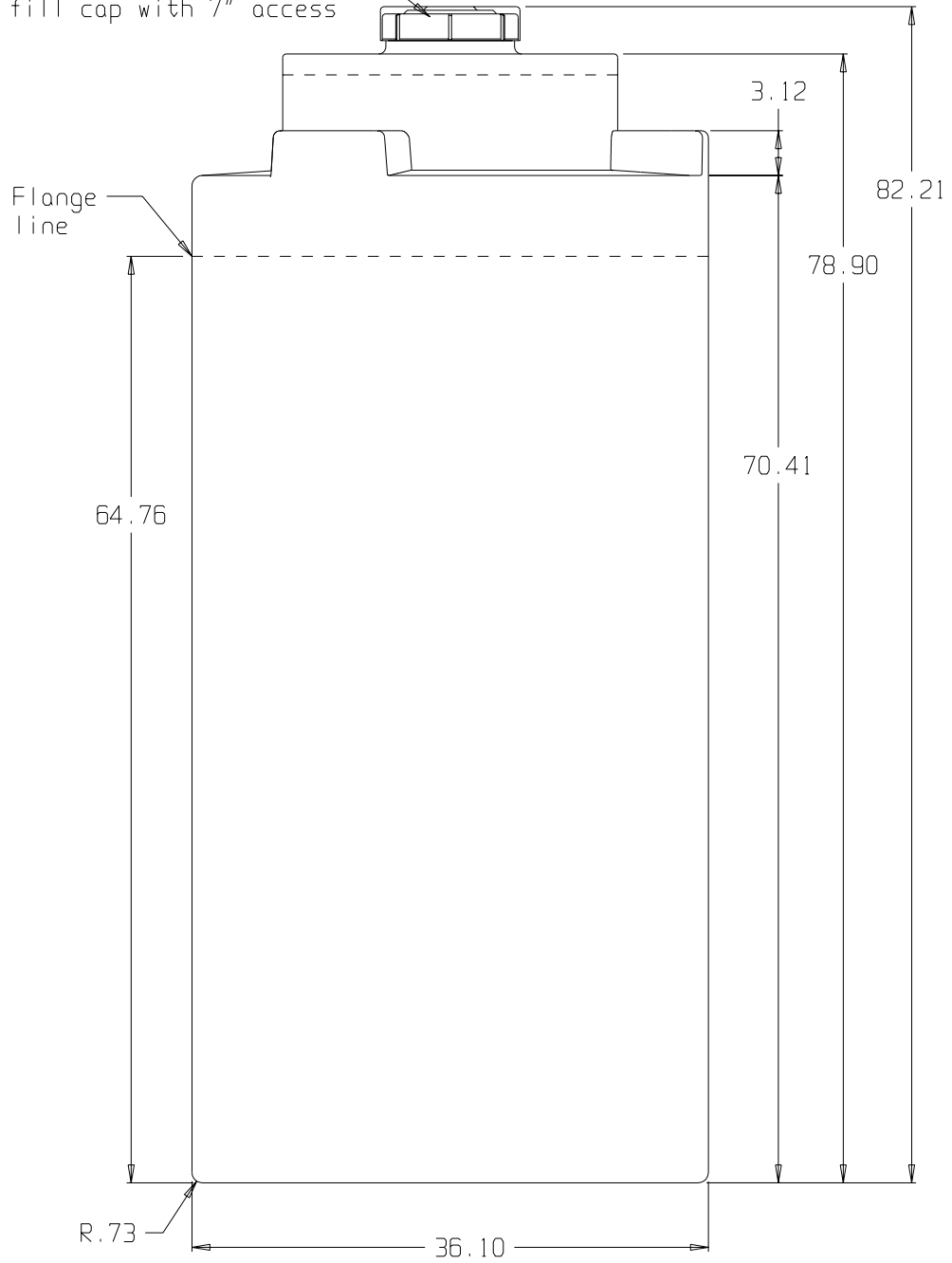
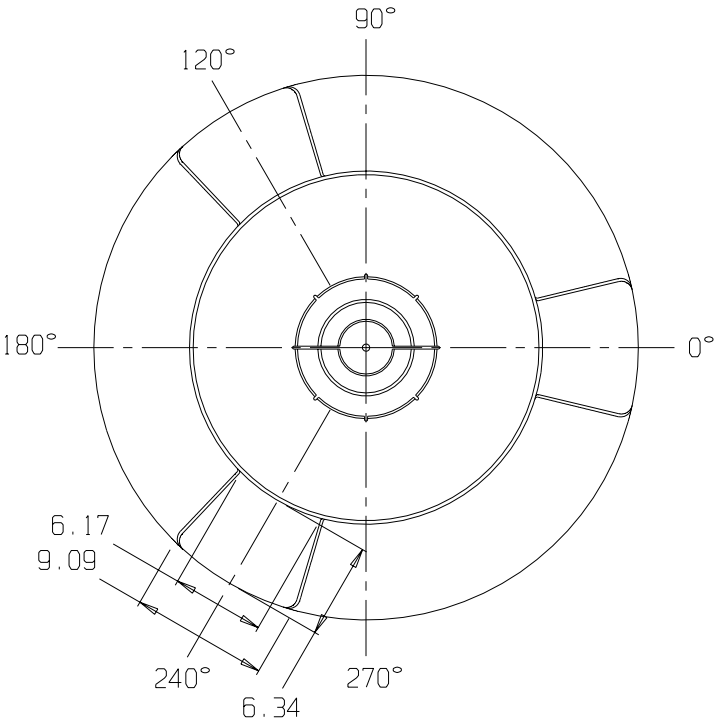


10" PE Threaded-vented
fill cap with 7" access



(all dimensions in inches)

BASE FITTINGS TO BE LEFT INSTALLED AT TIME OF SHIPMENT PER Sii PROCEDURE

PART # TANK: H163010000--

300 GALLON FLAT BOTTOM TANK

REF#: 0000

07/22/02