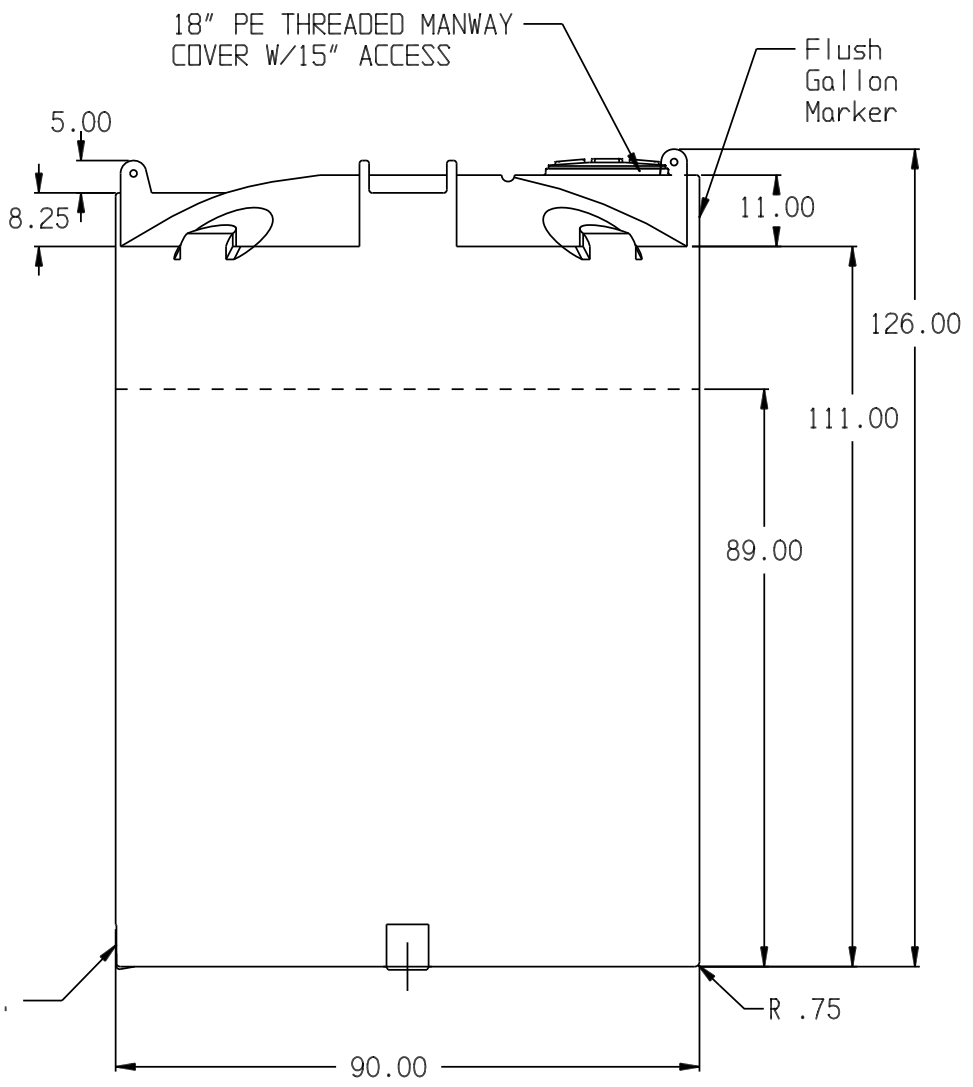


NOTE:
SOME GALLONAGE MARKS MAY BE
REMOVED FOR FITTING PLACEMENT.

2"-3" S.U.M.O.
Location Typ
@ 180° & 270°



APPROVED: _____

SIGNATURE: _____ DATE: _____

DRAWING NOT VALID UNLESS SIGNED
(all dimensions in inches)

PART # TANK: 816000N--MT

* BASE FITTINGS TO BE LEFT INSTALLED AT TIME OF SHIPMENT PER SII PROCEDURE
* Consult Snyder's Guidelines for Use and Installation prior to delivery.
Available on-line at www.snydernet.com

3,000 GALLON FLAT BOTTOM TANK

REF#: 0000

07/09/09