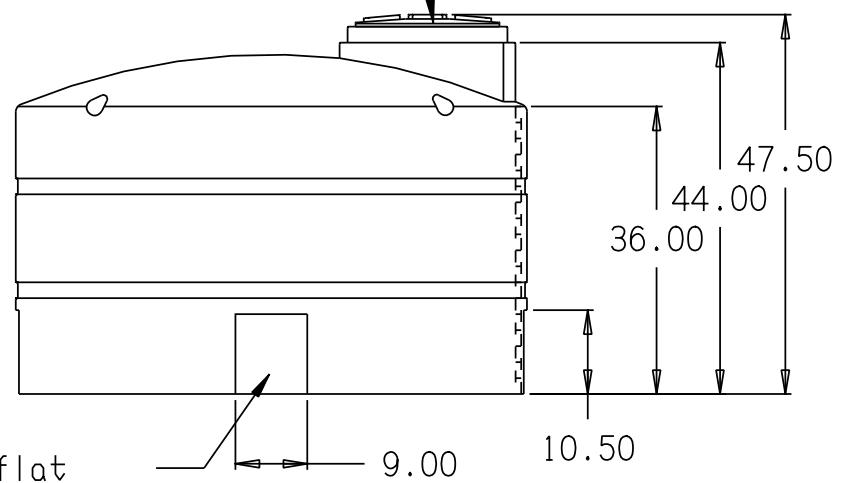


18" PE threaded manway  
with 15" access



Fitting flat  
4 places typical

\* BASE FITTINGS TO BE LEFT INSTALLED AT TIME OF SHIPMENT PER SII PROCEDURE  
 \* Consult Snyder's Guidelines for Use and Installation prior to delivery.  
 Available on-line at [www.snydernet.com](http://www.snydernet.com)

(all dimensions in inches)

PART #	TANK: 8060000N-- (P)
REF#:	00000

# 550 GALLON VERTICAL STORAGE TANK