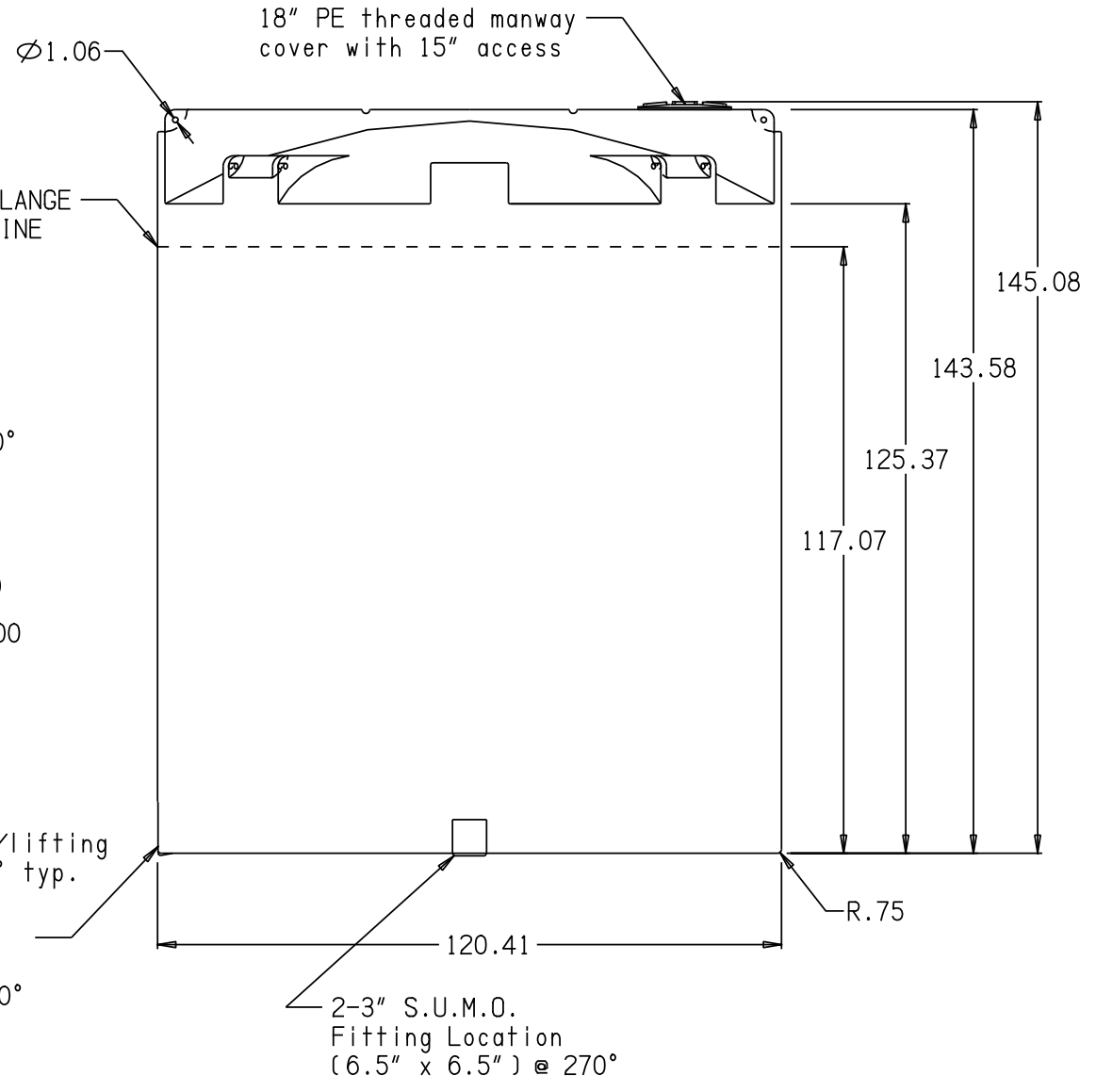


Tie down support/lifting lug (8) plcs. 90° typ.

2-6" S.U.M.O. Fitting Location (10" x 10") @ 180°



2-3" S.U.M.O. Fitting Location (6.5" x 6.5") @ 270°

* BASE FITTINGS TO BE LEFT INSTALLED AT TIME OF SHIPMENT PER S11 PROCEDURE
 * Consult Snyder's Guidelines for Use and Installation prior to delivery.
 Available on-line at www.snydernet.com

(all dimensions in inches)

PART #	TANK: 7140300N---- (CA)
REF#:	0000
	03/29/11

6,000 GALLON FLAT BOTTOM TANK