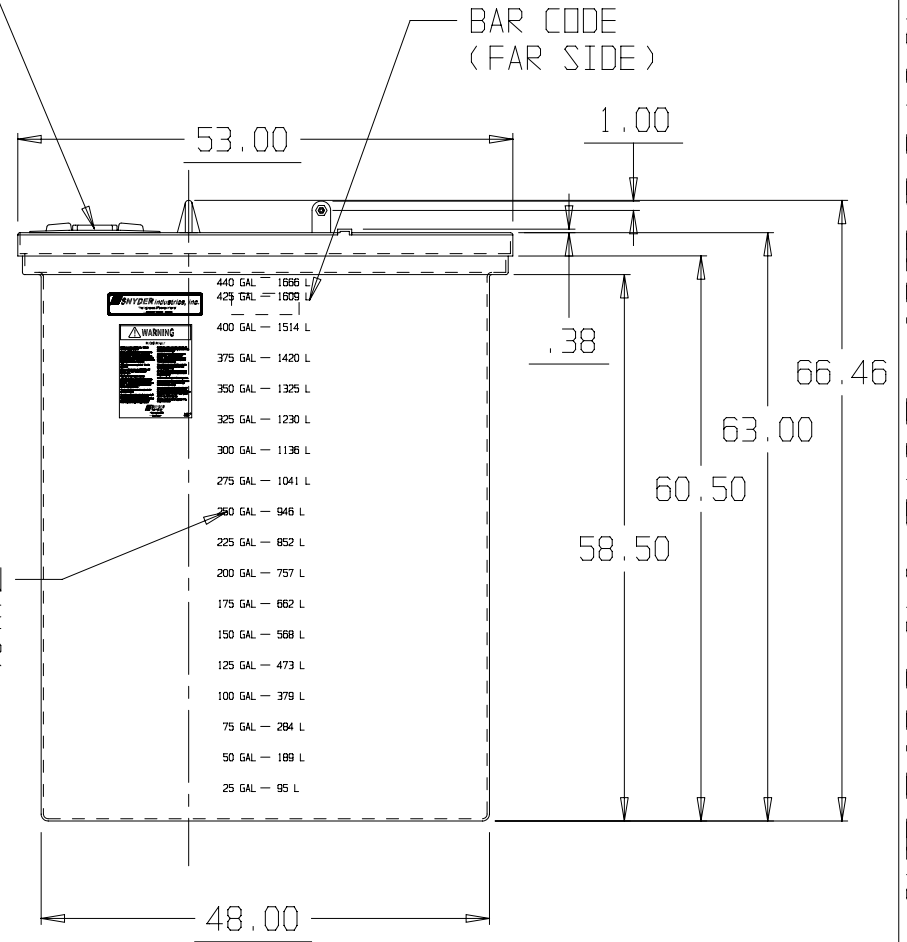
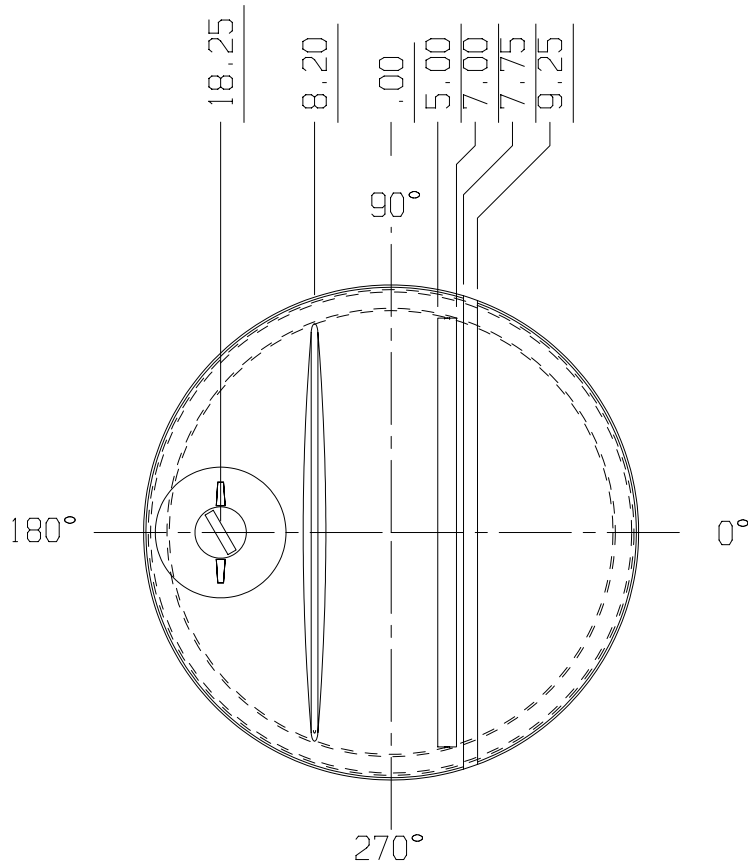


14" PE Threaded-Vented  
Manway with 11-3/8" access



MOLDED IN  
GALLONAGE  
AND LITER  
MARKINGS

\* BASE FITTINGS TO BE LEFT INSTALLED AT TIME OF SHIPMENT PER SII PROCEDURE  
 \* Consult Snyder's Guidelines for Use and Installation prior to delivery.  
 Available on-line at [www.snydernet.com](http://www.snydernet.com)

(all dimensions in inches)

PART # TANK: 5770000N--L

REF#: 00000

03/25/04

440 GALLON VCT X 48 VERTICAL CLOSED TOP TANK