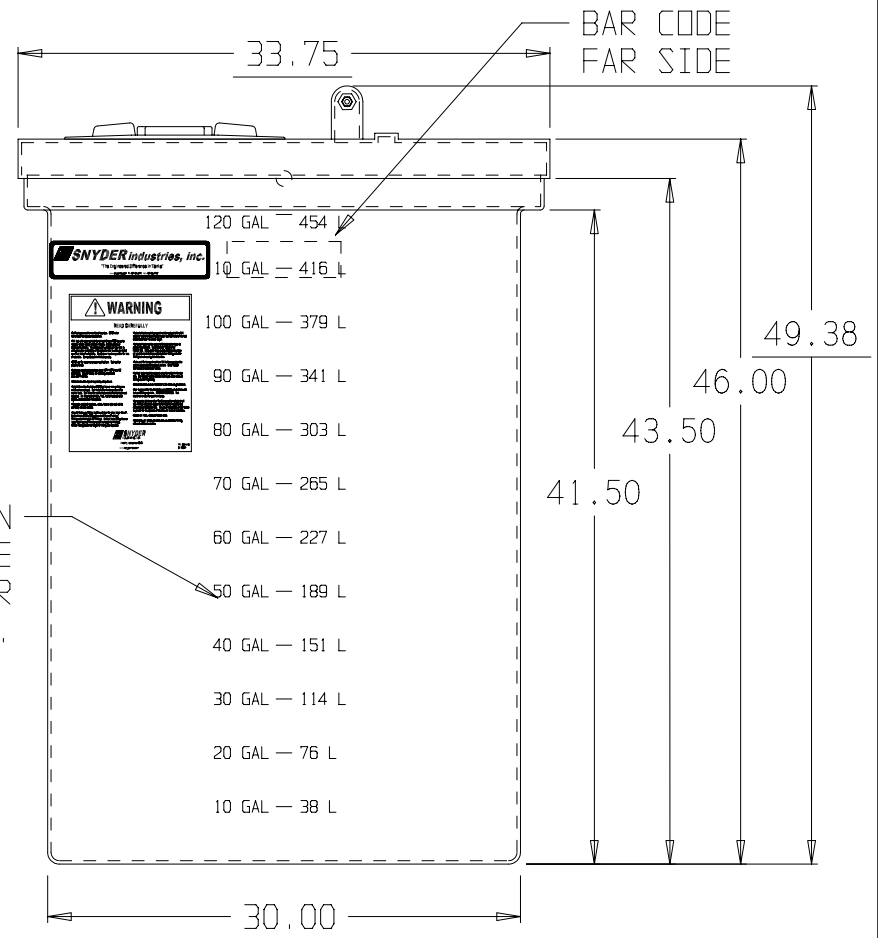


MOLDED IN GALLONAGE AND LITER MARKINGS.



- * BASE FITTINGS TO BE LEFT INSTALLED AT TIME OF SHIPMENT PER SII PROCEDURE
 - * Consult Snyder's Guidelines for Use and Installation prior to delivery.
- Available on-line at www.snydernet.com

(all dimensions in inches)

PART # TANK: 5700000N--L

120 GALLON VCT X 30 VERTICAL CLOSED TOP TANK

REF#: 00000

03/25/04