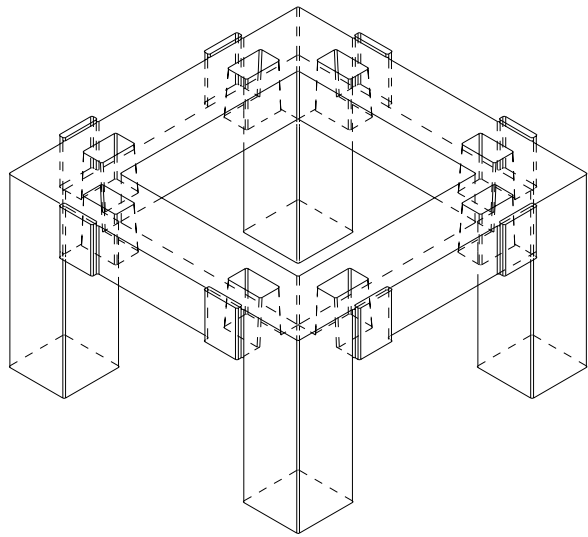
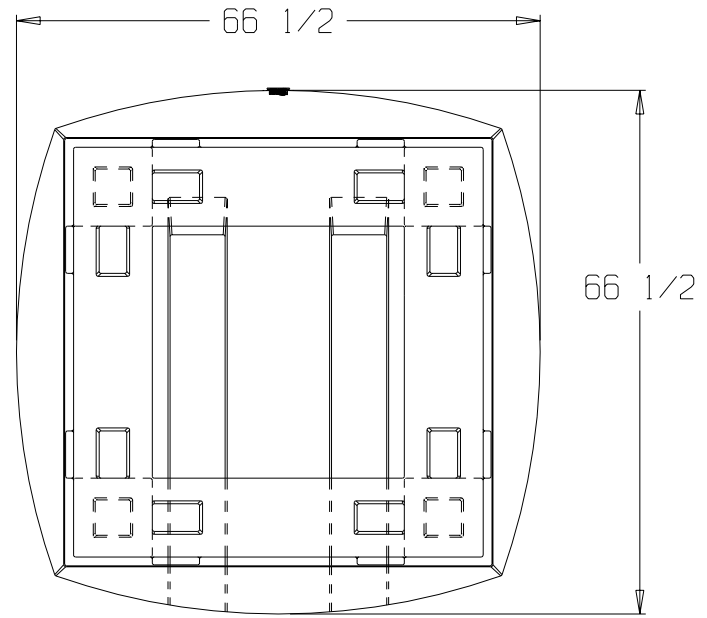


NOTES!

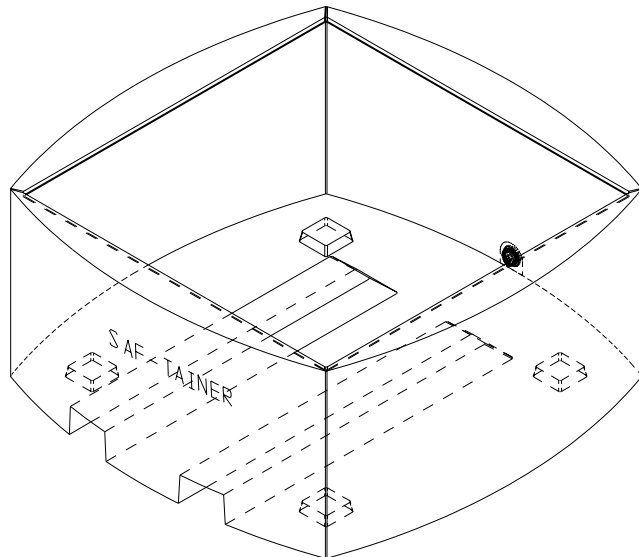
1. THE STAND IS RATED AT 8000# STATIC LOAD CAPACITY
2. FORK LIFT CHANNELS IN BASIN ARE FOR POSITIONING EMPTY BASIN ONLY.



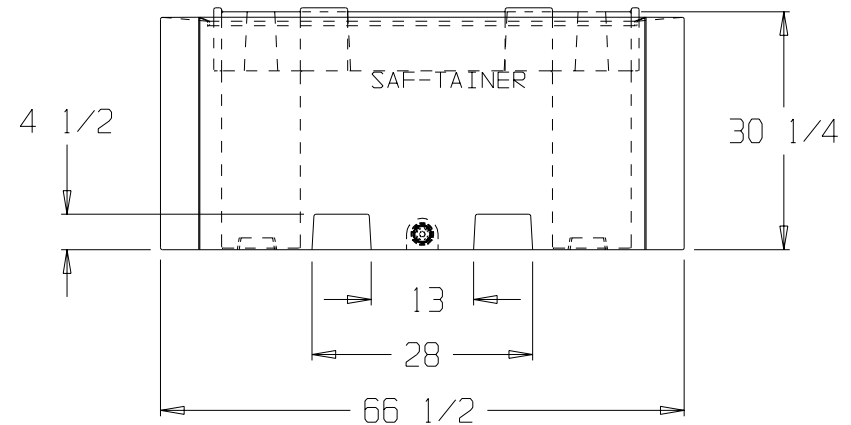
STAND P/N 62800



TOP VIEW



BASIN P/N 627157



FRONT VIEW

BASIN WITH STAND INSTALLED

PART#s BASIN - 627157
STAND - 62800

REF#:

05/17/02