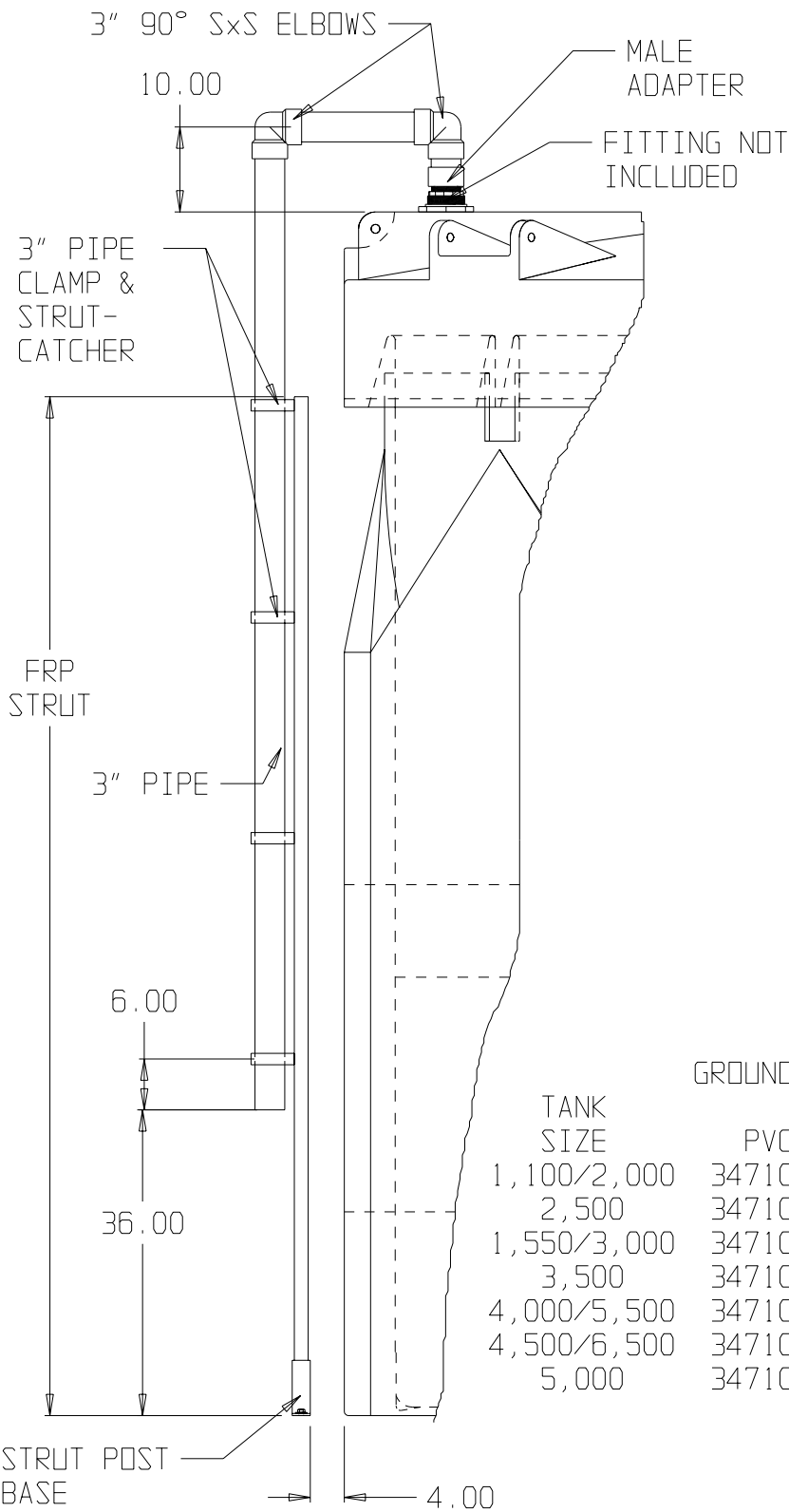


SNYDER INDUSTRIES INC.



CAPTOR SERIES
GROUND SUPPORTED EXTERNAL DOWN-PIPE

TANK SIZE	PVC	CPVC	FT PIPE	FT FRP STRUT	# OF CLAMPS
1,100/2,000	3471063	3471084	8.5	7.0	2
2,500	3471064	3471085	10.0	8.5	3
1,550/3,000	3471065	3471086	12.0	10.0	4
3,500	3471066	3471087	13.0	11.5	4
4,000/5,500	3471067	3471088	14.5	13.0	5
4,500/6,500	3471068	3471089	16.5	14.75	5
5,000	3471069	3471090	18.0	16.5	6

3" EXTERNAL DOWN-PIPE ASSEMBLY W/FRP GROUND SUPPORT