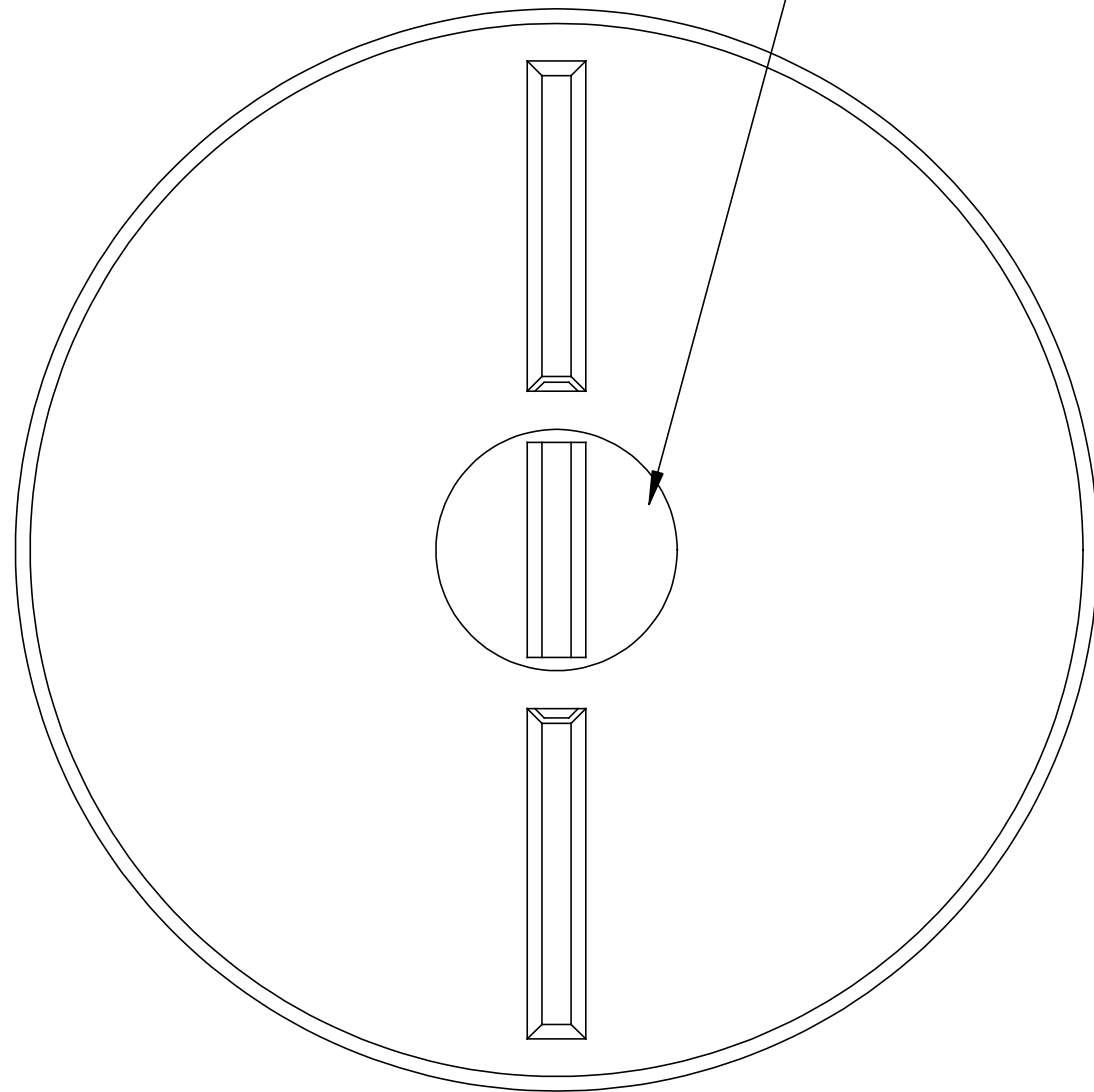
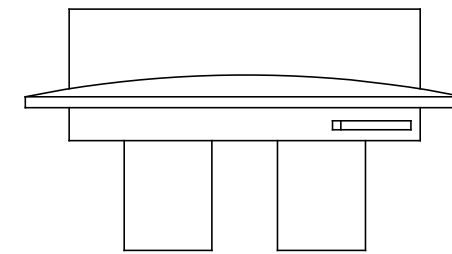
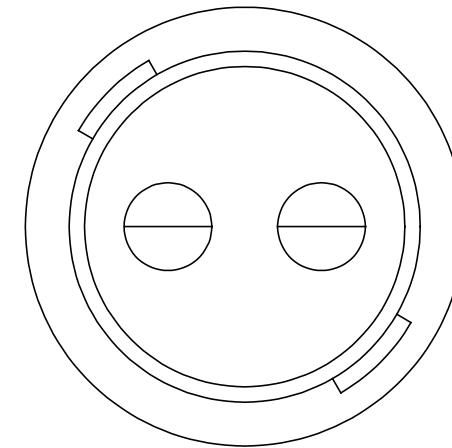


Ø 5.50" WITH 7/16 IN<sup>2</sup>  
VENT (4.75" I.D.)

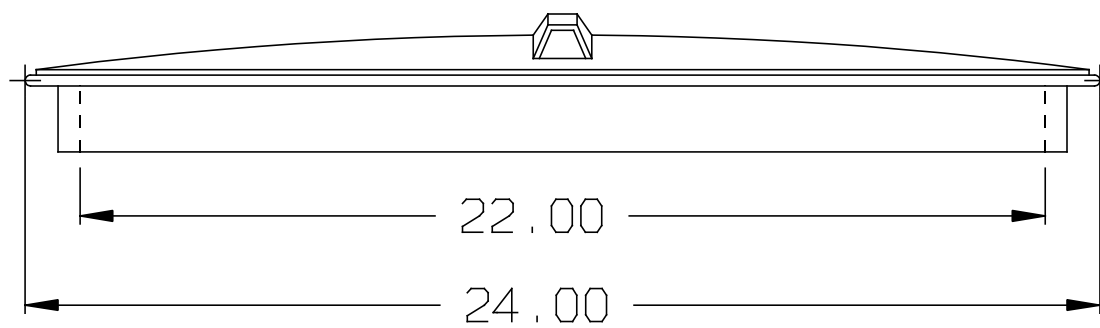


### VENT CAP DETAIL

BOTTOM VIEW



SIDE VIEW



(all dimensions in inches)

PART # LID: 34700352

REF#: 0000

01/07/04

SNYDER INDUSTRIES INC.

24" PE THREADED / VENTED MANWAY