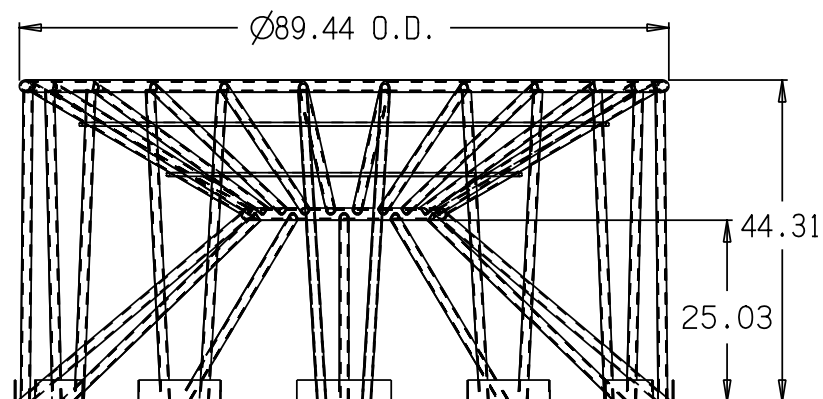
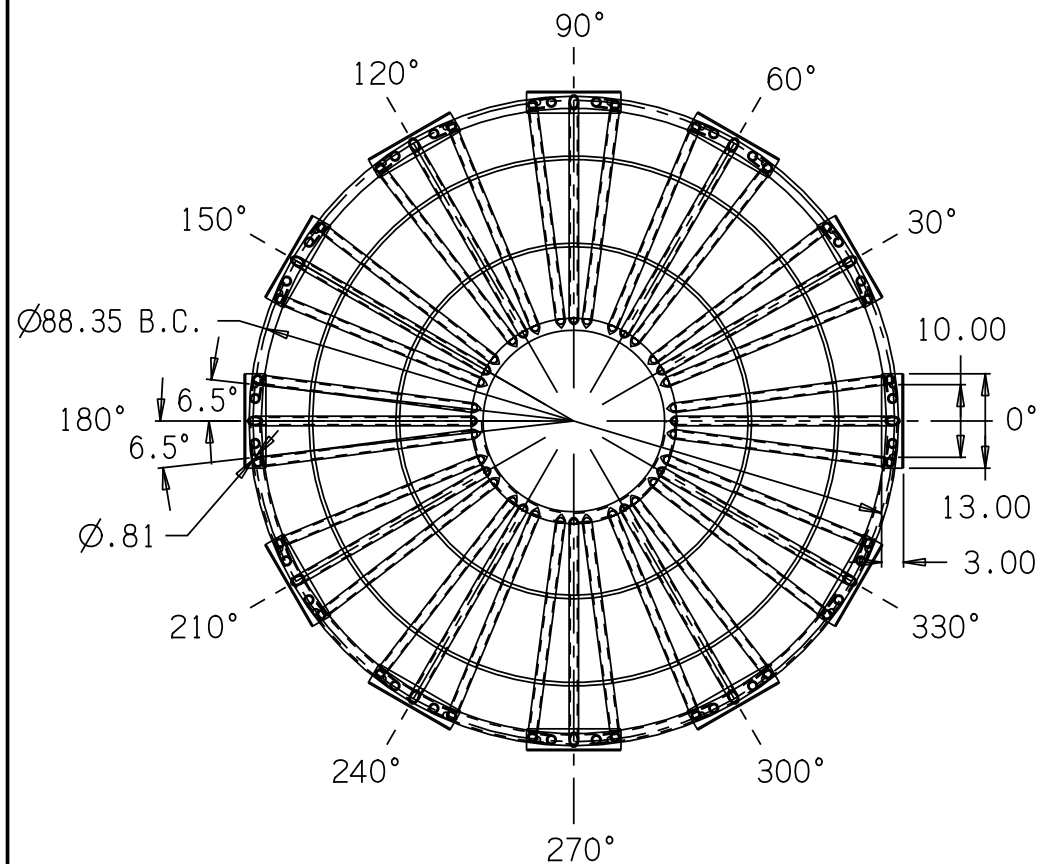


NOTE: CONSULT SII BEFORE MODIFYING ANY PART OF THIS STAND



(all dimensions in inches)

ALL DIMENSIONS, DESIGNS, AND INFORMATION ON THIS PRINT MUST BE CONSIDERED PROPRIETARY TO SNYDER INDUSTRIES, INC. AND MAY NOT BE USED, COPIED, OR DISTRIBUTED WITHOUT WRITTEN PERMISSION OF AN OFFICER (OR HIS AGENT) OF THE FIRM.

PART # STAND: 79300000
(SIEMIC): 79800000

M-SERIES 12-LEG 30° CONE STAND

REF#: 0000

11/21/11