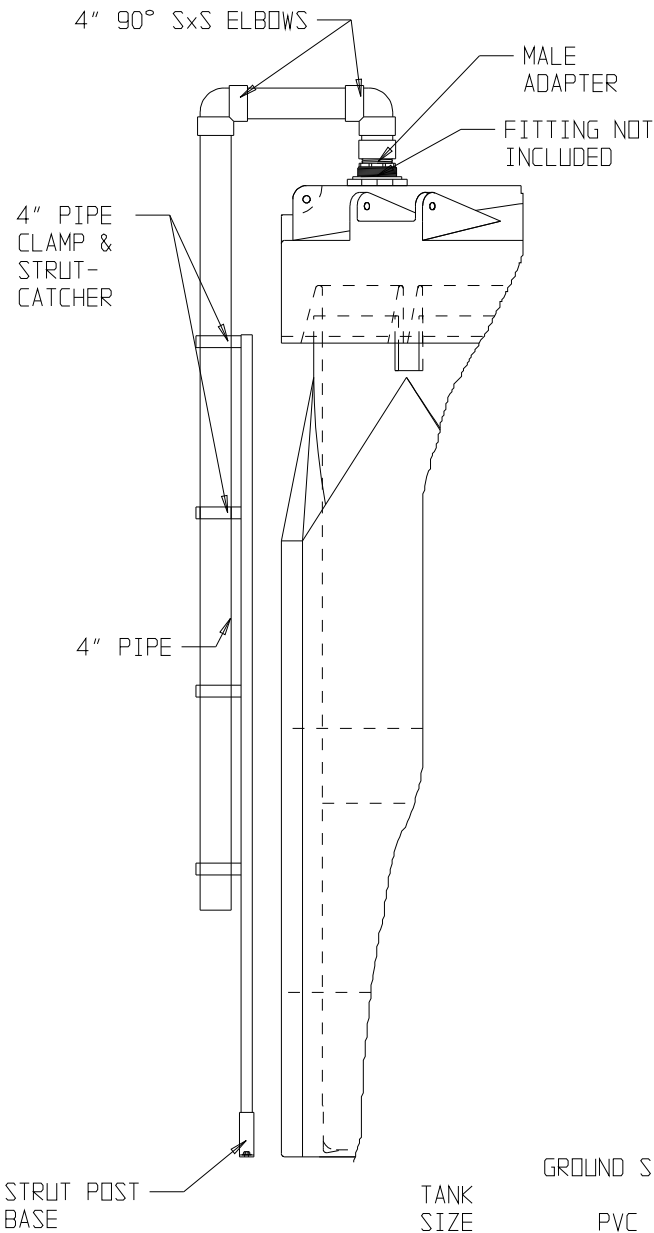


SNYDER INDUSTRIES INC.



TANK SIZE	CAPTOR SERIES		GROUND SUPPORTED EXTERNAL DOWN-PIPE		# OF CLAMPS
	PVC	CPVC	FT PIPE	FT FRP STRUT	
1,100/2,000	34701070	34701091	8.5	7.0	2
2,500	34701071	34701092	10.0	8.5	3
1,550/3,000	34701072	34701093	12.0	10.0	4
3,500	34701073	34701094	13.0	11.5	4
4,000/5,500	34701074	34701095	14.5	13.0	5
4,500/6,500	34701075	34701096	16.5	14.75	5
5,000	34701076	34701097	18.0	16.5	6

FILE: Downpipe-4FRP.ckd

4" EXTERNAL DOWN-PIPE ASSEMBLY W/FRP GROUND SUPPORT