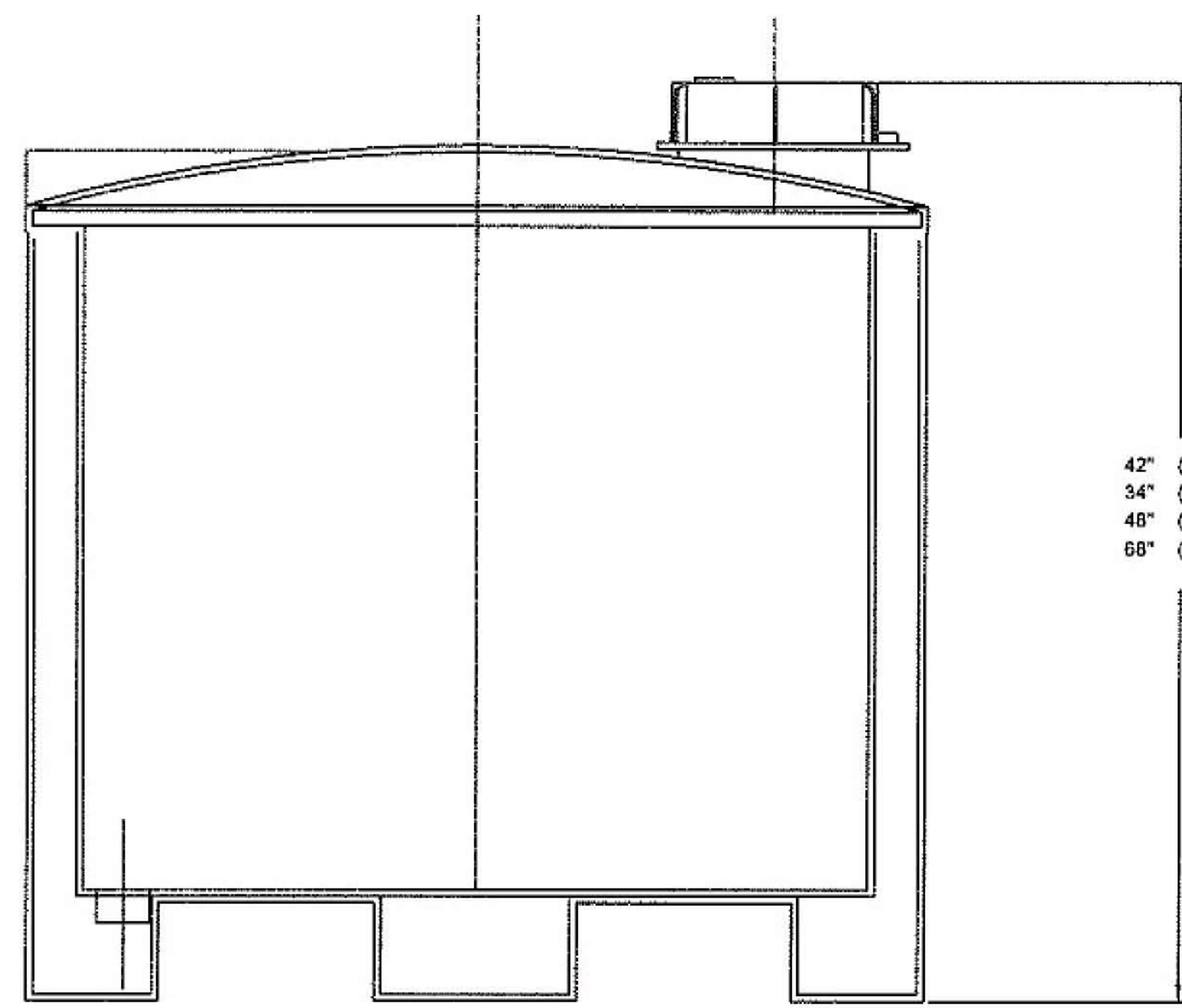


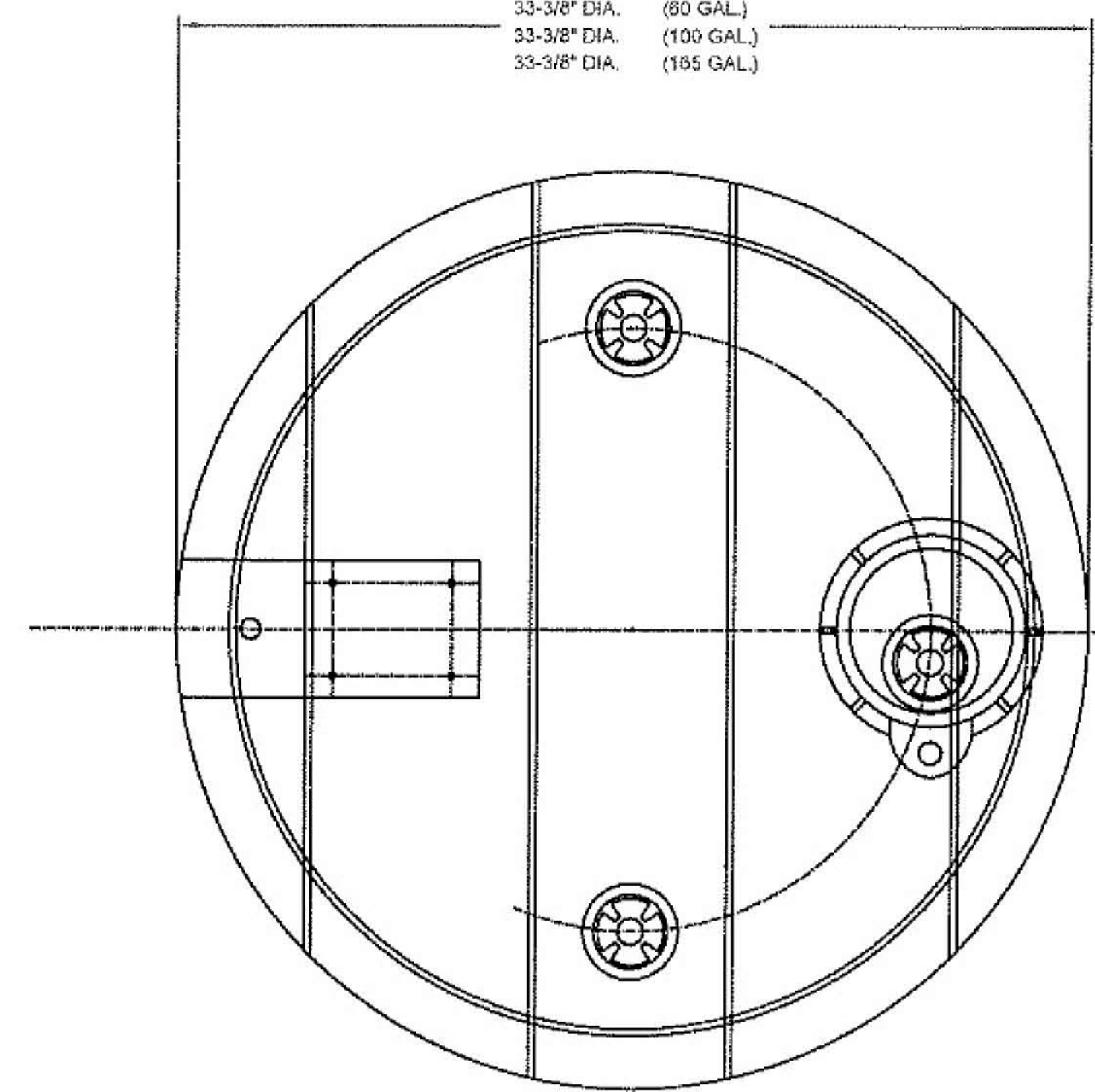
RevNo	Revision note	Date	Signature	Checked
-------	---------------	------	-----------	---------



- 22" DIA. (35 GAL.)
- 33-3/8" DIA. (80 GAL.)
- 33-3/8" DIA. (100 GAL.)
- 33-3/8" DIA. (165 GAL.)



- 42" (35 GALLON)
- 34" (80 GALLON)
- 48" (100 GALLON)
- 68" (165 GALLON)



ASSEMBLY VIEW

Designed by	Checked by	Approved by - date	File name JUMBOMST.dwg	Date 05/01/06	Scale NONE
			<b>JUMBO MST</b>		
				Edition	Sheet 1