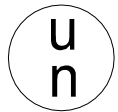
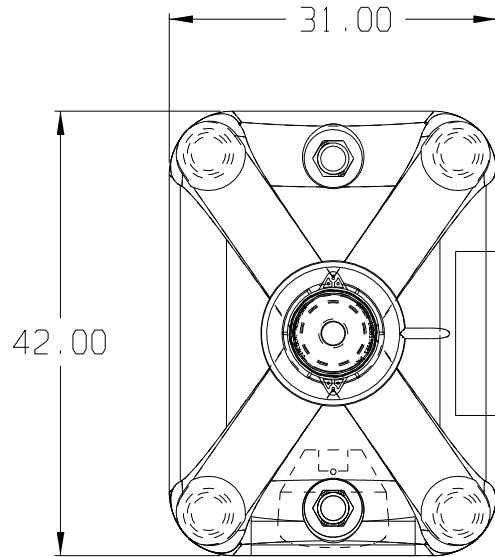


120 EXCALIBUR 1.9 SP. GR. "STANDARD PACKAGE OF OPTIONAL EQUIPMENT"

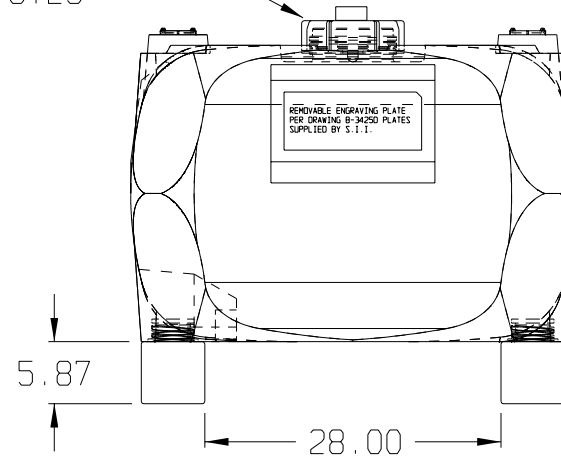
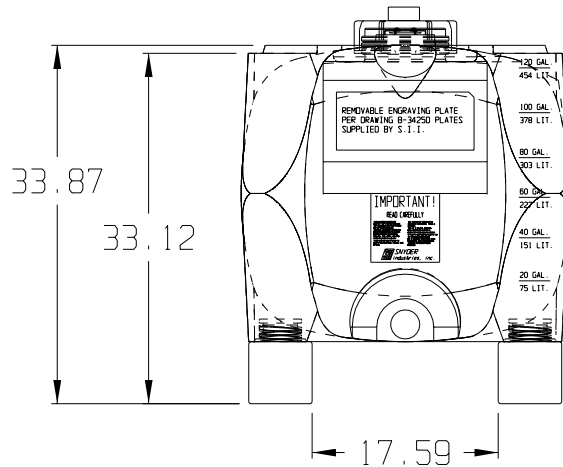
U.N. MARKING ON TANK READS:



31H2 / Y / MO. / YR. / USA
 SNYDER IND. INC.
 LINCOLN, NE. 1622 / 901
 CAPACITY - 454 LITERS
 TARE MASS - ACTUAL KG
 GAUGE TEST PRESSURE - 100 KPA
 LAST LEAKPROOFNESS TEST - MO. / YR.
 LAST INSPECTION - MO. / YR.



I.D. FILLNECK
 OPENING 6.25"



ITEM #	DESCRIPTION	QTY.	PART NUMBER
1	TANK – 2 BUNG TANK WITH 6.5" CAP AND BOTTOM DRAIN HDPE NATURAL. (WITH CAP LANYARD INSERT AND WITH TAMPER EVIDENCE INSERTS MOLDED IN)	1	65745
2	FEET – THREADED HDPE BLACK	4	65049
3	S.I.I. PROPRIETARY 2" NPS REPLACEABLE BUNG GLASS FILLED POLYETHYLENE W/ITON O-RING SEAL	2	N/A
4	2" NPS RIEKE POLYETHYLENE BUNG PLUGS WITH EPDM FLAT GASKETS	1	347340
5	6.5" GEM CAP WITH 2" NPS CENTER OPENING AND EPDM CAP GASKET. EQUIPPED WITH LID TIE	1	347795
6	S.I.I. 2" NPS VACUUM RELIEF VENT WITH EPDM DISK AND FLAT GASKET (AVERAGE GRAVITY FLOW RATE OF 70 GALLONS PER MINUTE)	1	347854
7	2" BANJO STANDARD PORT GLASS FILLED POLYPROPYLENE BOTTOM DRAIN VALVE WITH TEFLON SEATS AND BALL AND 18/8 S.S. BOLTS. INCLUDES DUST CAP AND CAP LANYARD.	1	347718

(all dimensions in inches)

TANK PART#: 65745 @ 1.9 SPGR