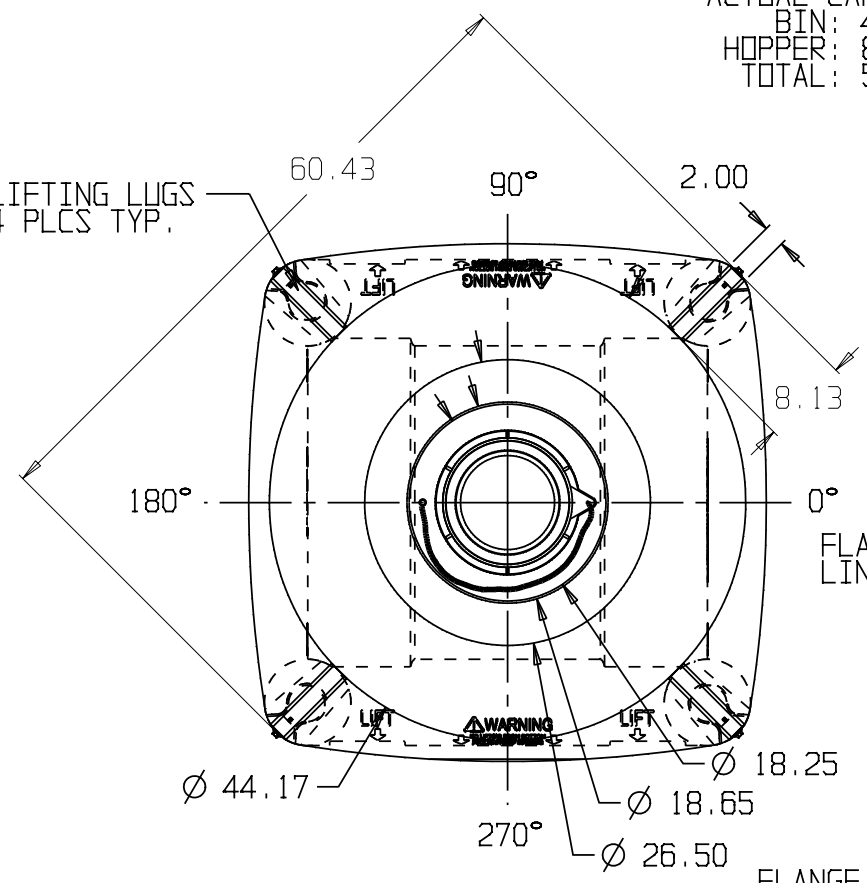
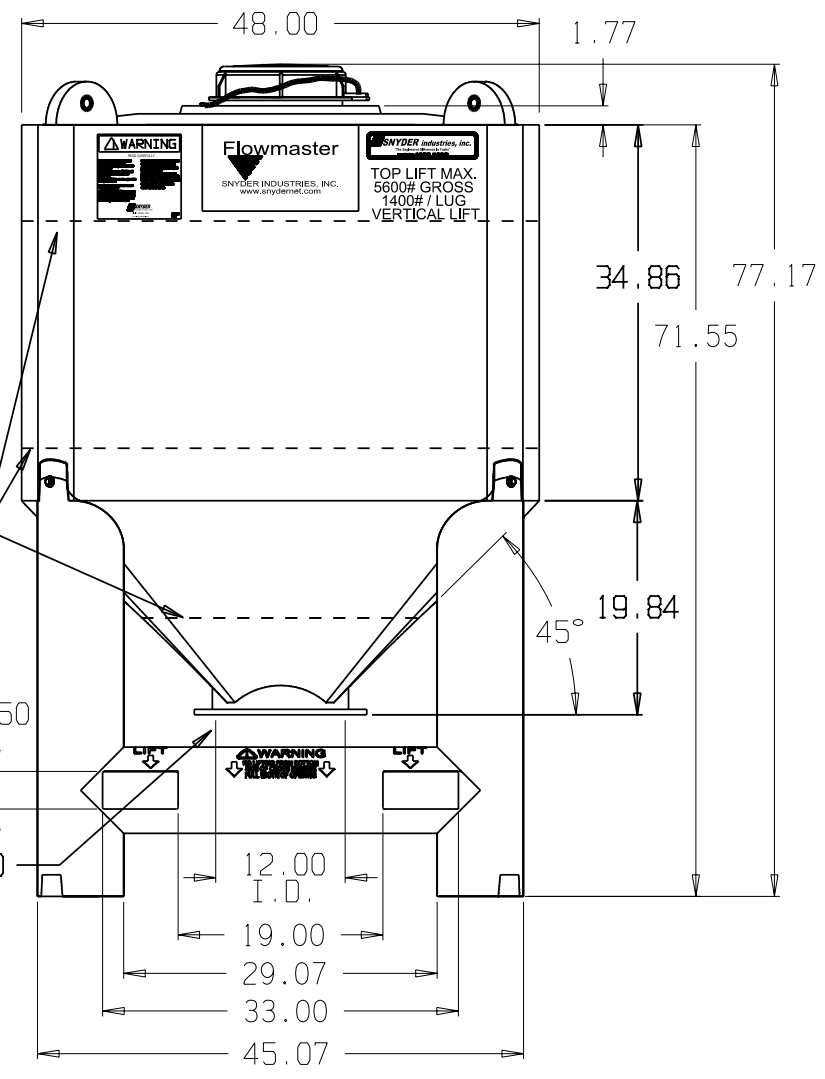


ACTUAL CAPACITY
 BIN: 41.7 CF
 HOPPER: 8.3 CF
 TOTAL: 50.0 CF

LIFTING LUGS
 4 PLCS TYP.



FLANGE TRIMMED
 FOR SPECIFIC
 VALVE (ϕ WILL
 VARY)



* BASE FITTINGS TO BE LEFT INSTALLED AT TIME OF SHIPMENT PER SII PROCEDURE
 * Consult Snyder's Guidelines for Use and Installation prior to delivery.
 Available on-line at www.snydernet.com

(all dimensions in inches)
 PART #s BIN: 6371401N--L

50 CUBIC FOOT 45° SLOPE CLOSED TOP DRY BIN W/12" ϕ OUTLET & BASE

BASE: 6390000N--L
 REF#: 00000 05/17/06