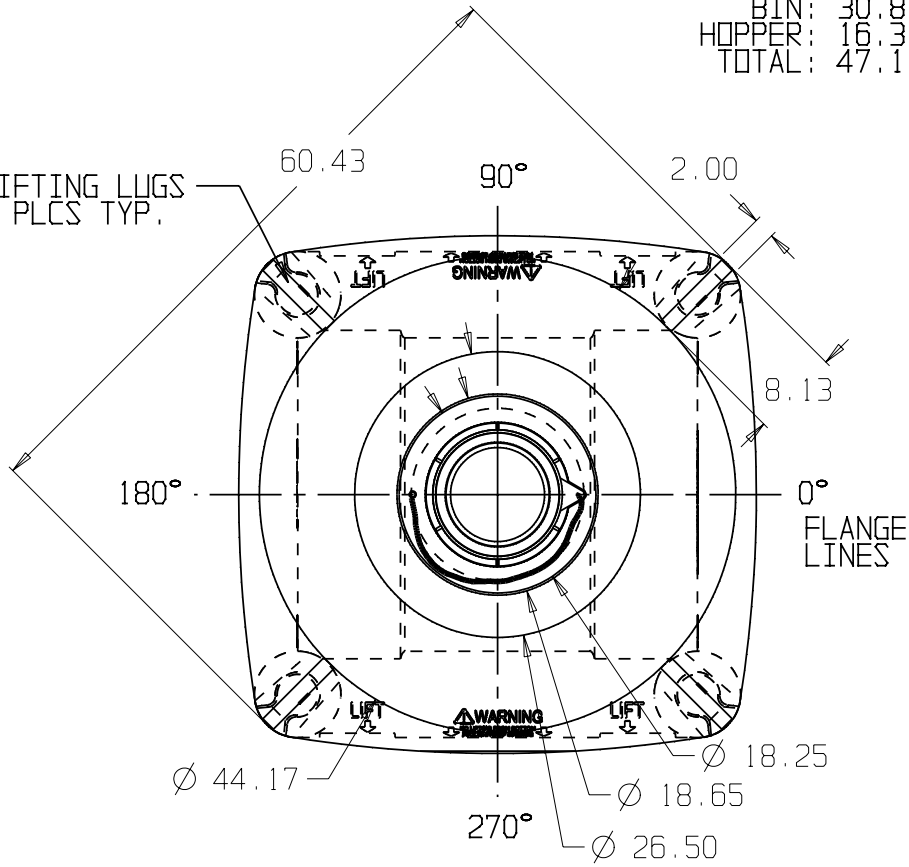
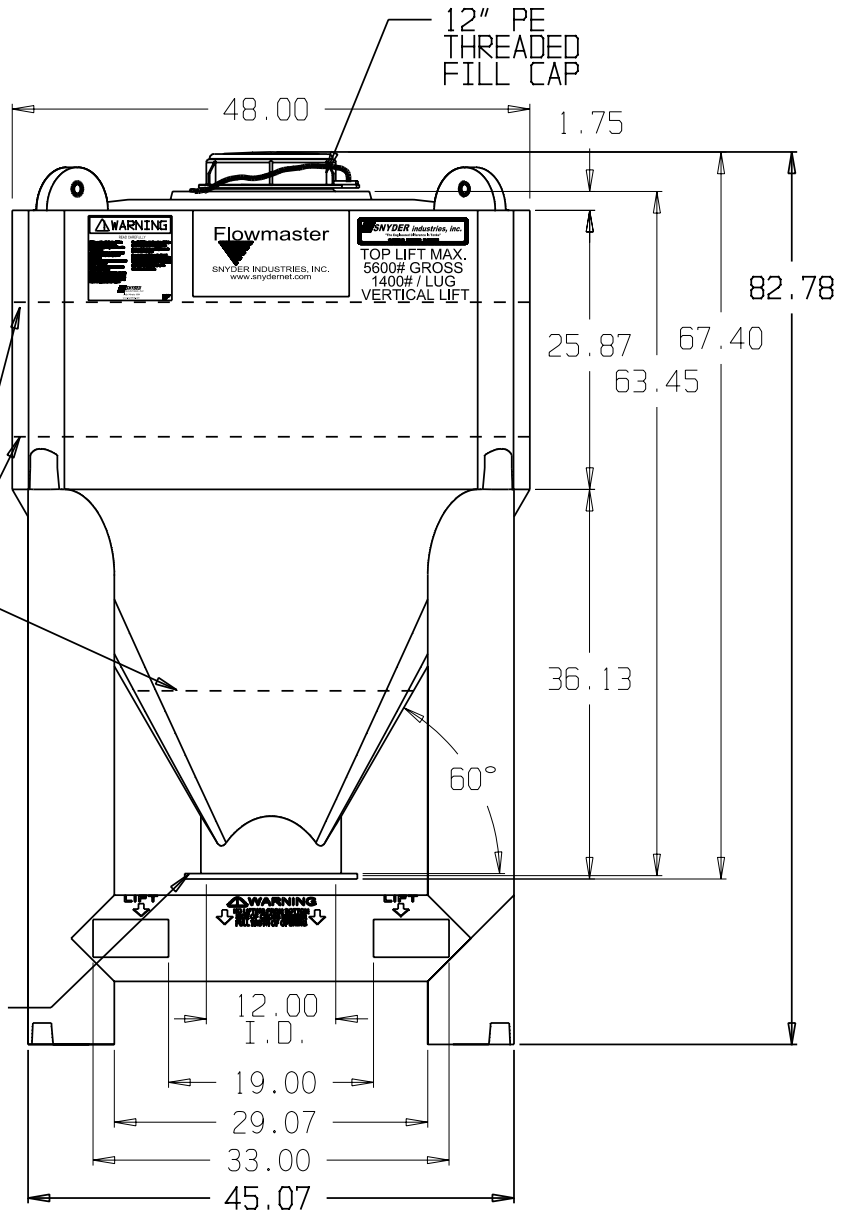


ACTUAL CAPACITY
 BIN: 30.8 CF
 HOPPER: 16.3 CF
 TOTAL: 47.1 CF

LIFTING LUGS
 4 PLCS TYP.



FLANGE TRIMMED
 FOR SPECIFIC
 VALVE (ϕ WILL
 VARY)



* BASE FITTINGS TO BE LEFT INSTALLED AT TIME OF SHIPMENT PER SII PROCEDURE
 * Consult Snyder's Guidelines for Use and Installation prior to delivery.
 Available on-line at www.snydernet.com

(all dimensions in inches)

48 CUBIC FOOT 60° SLOPE CLOSED TOP DRY BIN W/12" ϕ OUTLET, 12" FILLCAP & BASE

PART # BIN: 6371201N--L
 BASE: 6390100N--L
 REF#: 00000 06/20/05