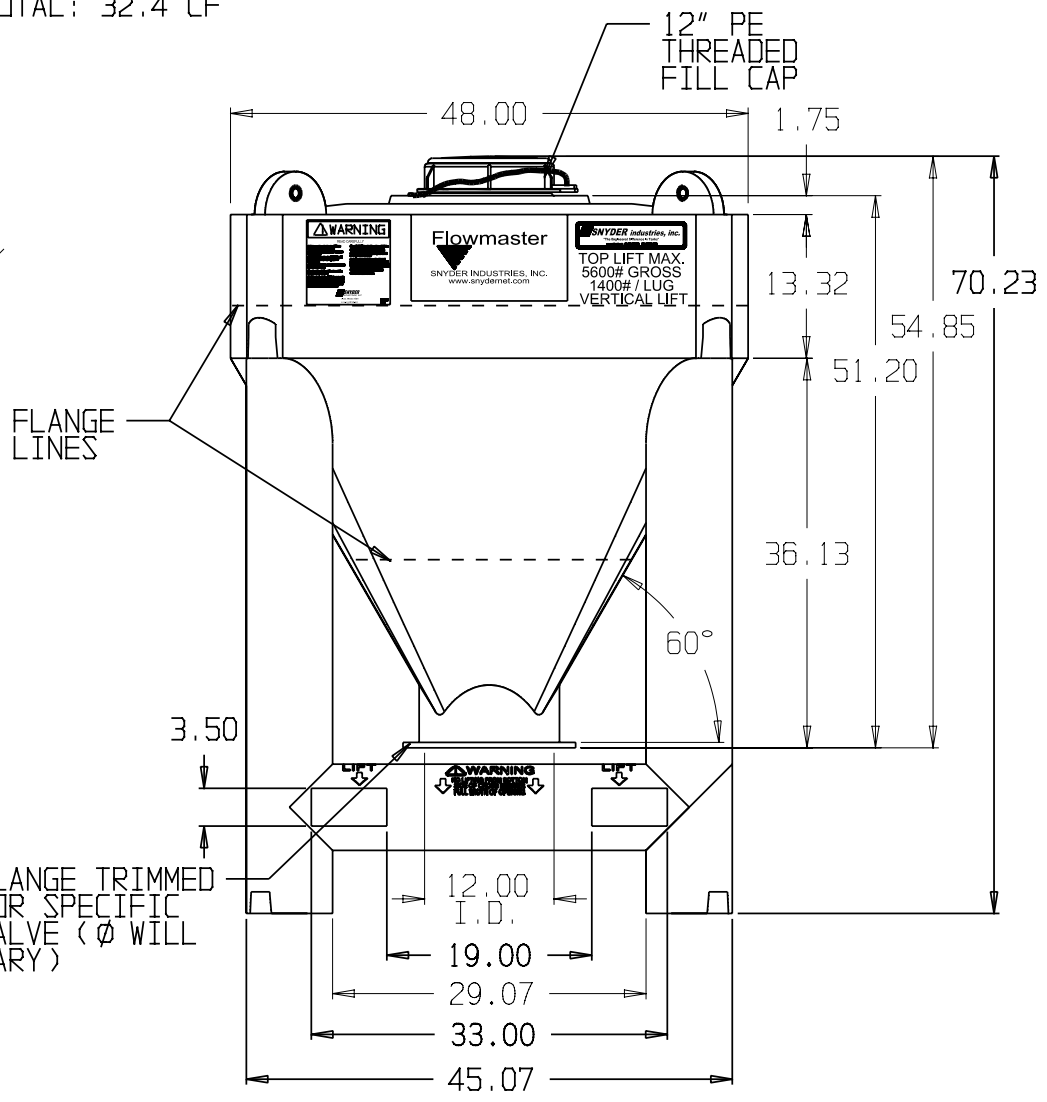
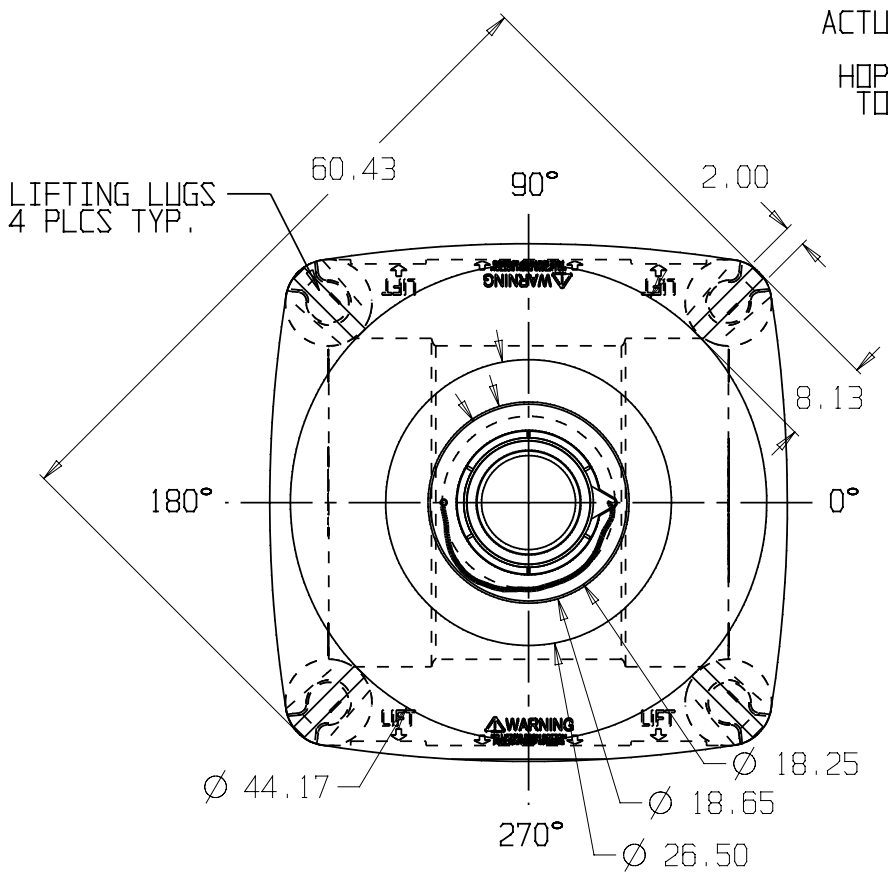


ACTUAL CAPACITY
 BIN: 16.1 CF
 HOPPER: 16.3 CF
 TOTAL: 32.4 CF



* BASE FITTINGS TO BE LEFT INSTALLED AT TIME OF SHIPMENT PER SII PROCEDURE
 * Consult Snyder's Guidelines for Use and Installation prior to delivery.
 Available on-line at www.snydernet.com

(all dimensions in inches)

PART # BIN: 6371101N--L

BASE: 6390100N--L

REF#: 00000

06/20/05

30 CUBIC FOOT 60° SLOPE CLOSED TOP DRY BIN W/12" Ø OUTLET, 12" FILLCAP & BASE