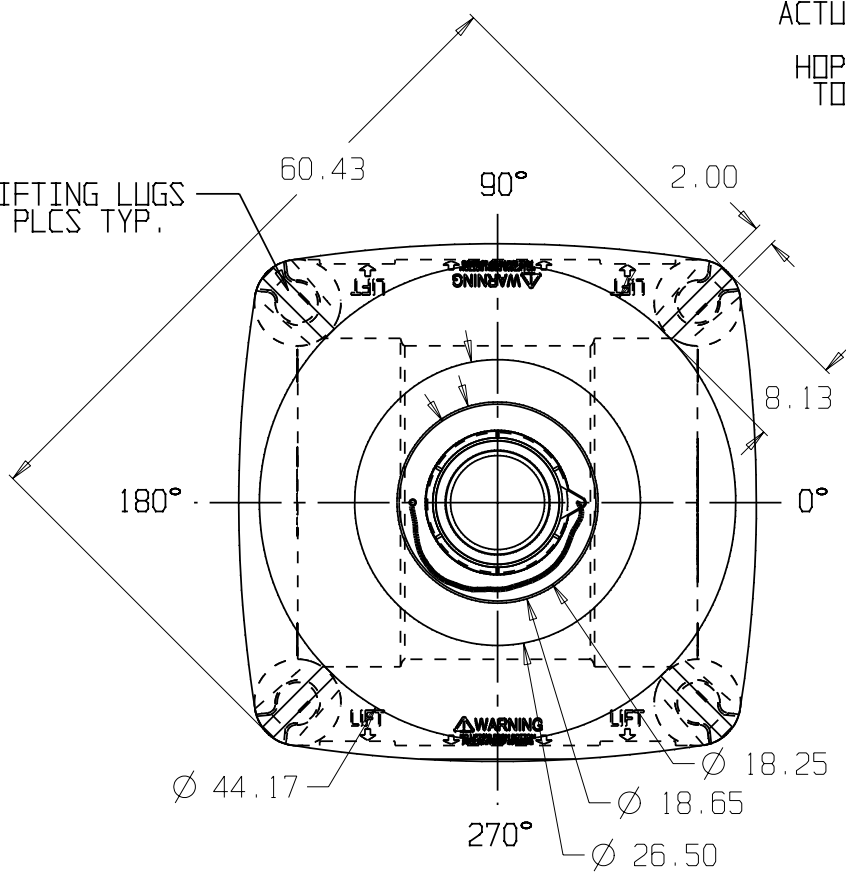


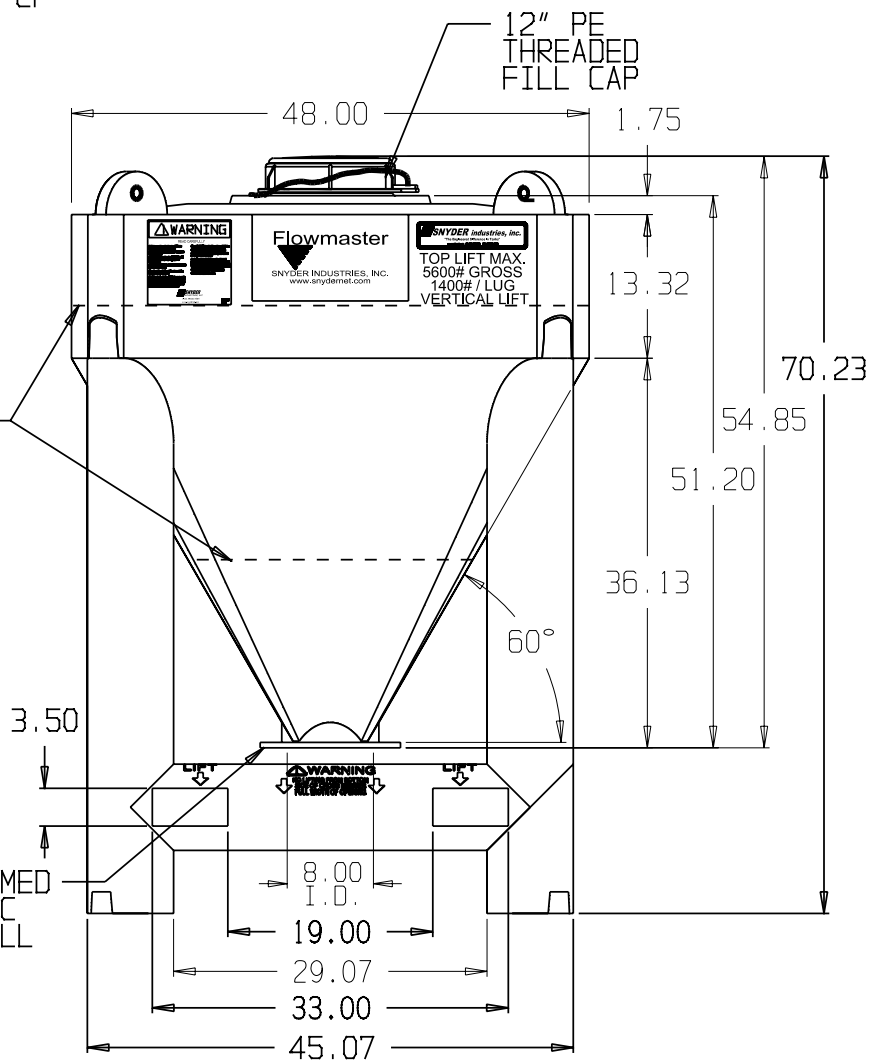
ACTUAL CAPACITY
 BIN: 16.1 CF
 HOPPER: 16.2 CF
 TOTAL: 32.3 CF

LIFTING LUGS
 4 PLCS TYP.



FLANGE LINES

FLANGE TRIMMED
 FOR SPECIFIC
 VALVE (ϕ WILL
 VARY)



(all dimensions in inches)

PART #s BIN: 6371100N--L

BASE: 6390100N--L

REF#: 00000

06/20/05

* BASE FITTINGS TO BE LEFT INSTALLED AT TIME OF SHIPMENT PER SII PROCEDURE
 * Consult Snyder's Guidelines for Use and Installation prior to delivery.
 Available on-line at www.snydernet.com

30 CUBIC FOOT 60° SLOPE CLOSED TOP DRY BIN W/8" ϕ OUTLET, 12" FILLCAP & BASE