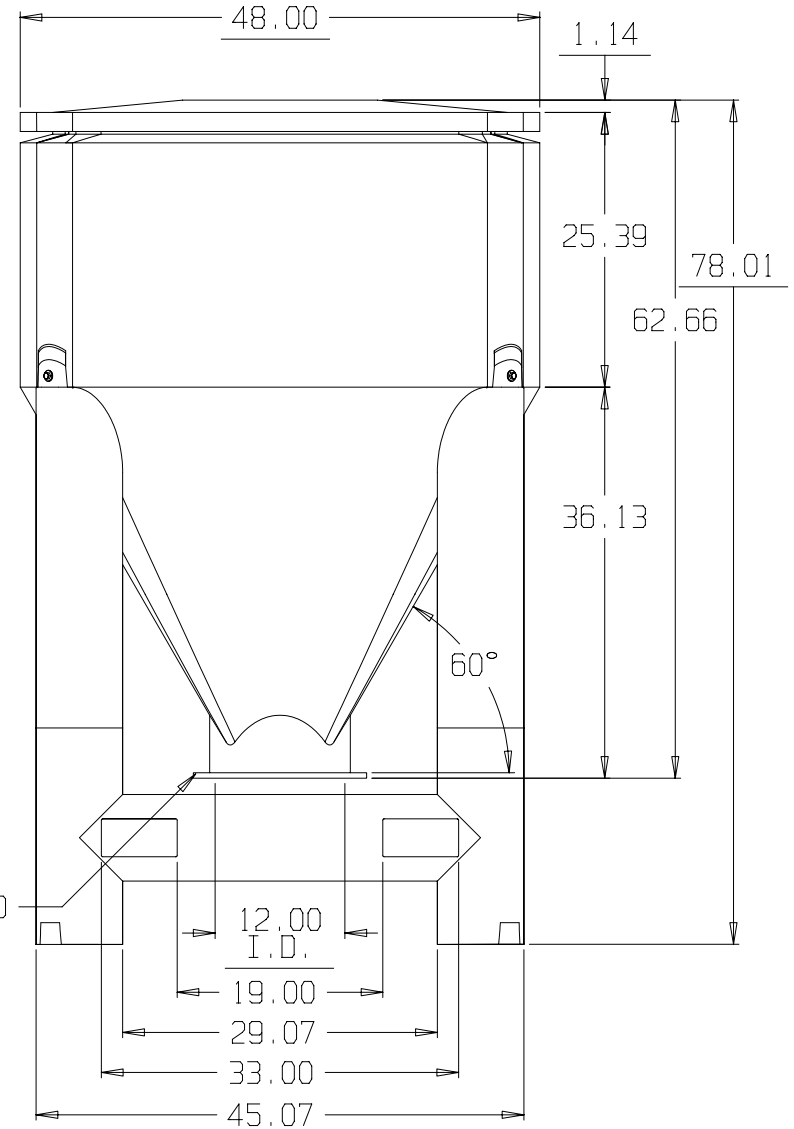


ACTUAL CAPACITY
 BIN: 29.3 CF
 HOPPER: 16.3 CF
 TOTAL: 45.6 CF

FLANGE TRIMMED
 FOR SPECIFIC
 VALVE (Ø WILL
 VARY)



* BASE FITTINGS TO BE LEFT INSTALLED AT TIME OF SHIPMENT PER SII PROCEDURE
 * Consult Snyder's Guidelines for Use and Installation prior to delivery.
 Available on-line at www.snydernet.com

(all dimensions in inches)

PART #s BIN: 6370901N--L

BASE: 6390100N--L

REF#: 00000

06/29/04

48 CUBIC FOOT 60° SLOPE OPEN TOP DRY BIN W/12" Ø OUTLET, NO MANWAY & BASE