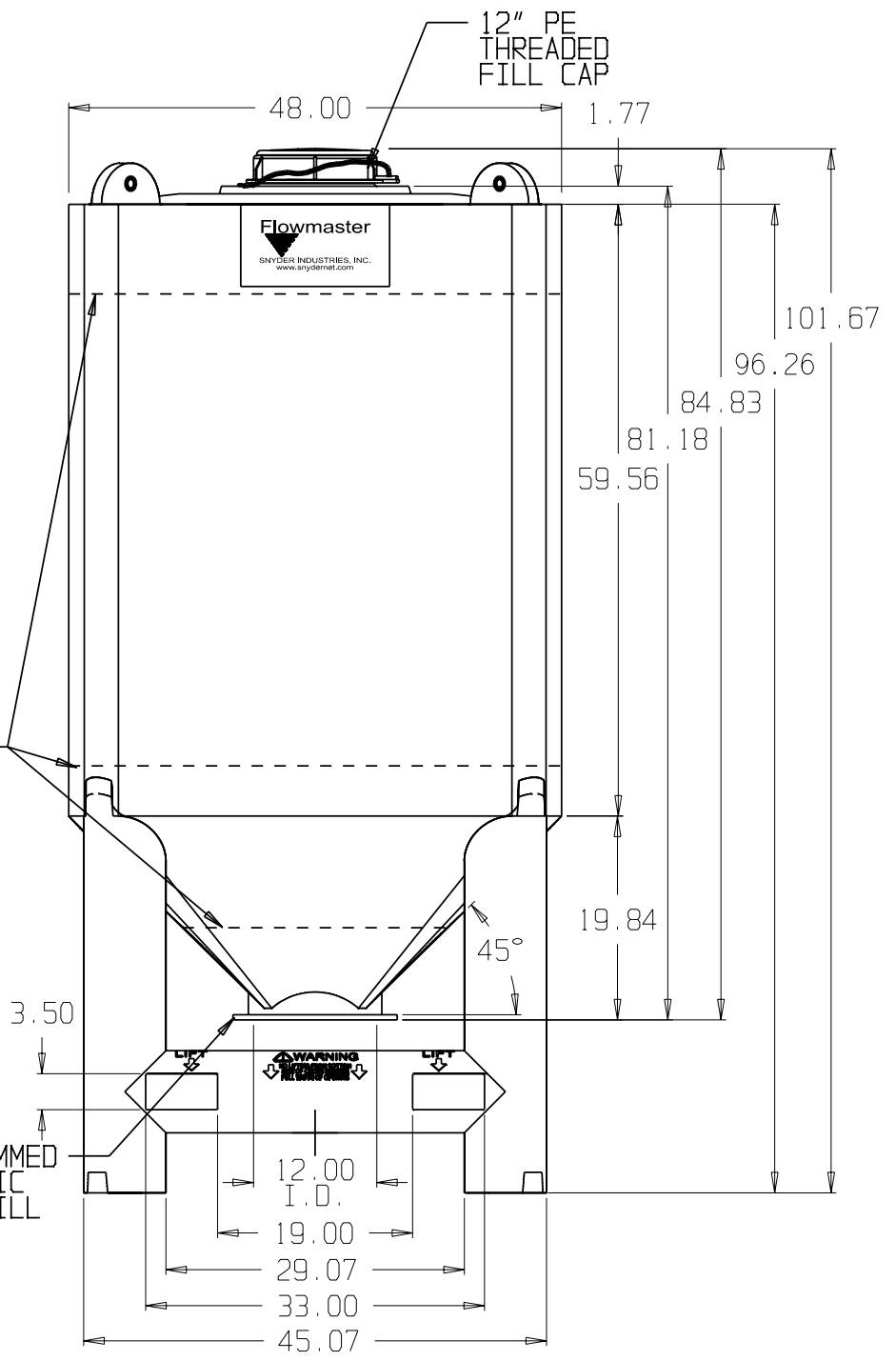
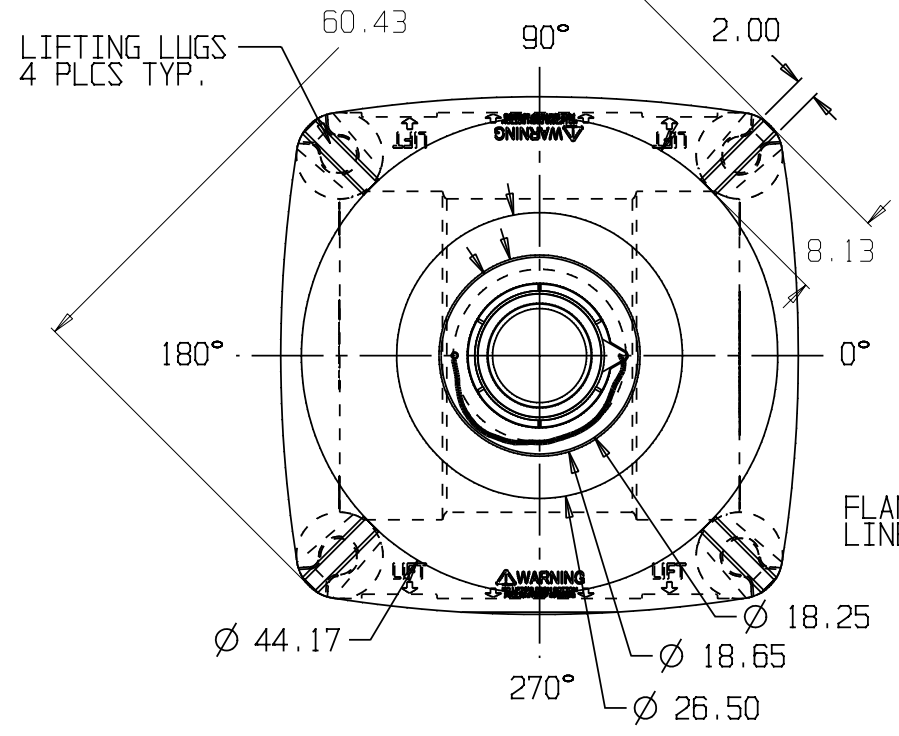


ACTUAL CAPACITY
 BIN: 71.7 CF
 HOPPER: 8.3 CF
 TOTAL: 80.0 CF



FLANGE TRIMMED FOR SPECIFIC VALVE (ϕ WILL VARY)

* BASE FITTINGS TO BE LEFT INSTALLED AT TIME OF SHIPMENT PER SII PROCEDURE
 * Consult Snyder's Guidelines for Use and Installation prior to delivery.
 Available on-line at www.snydernet.com

(all dimensions in inches)

PART #s BIN: 6370701N--L

BASE: 6390000N--L

REF#: 00000

06/20/05

80 CUBIC FOOT 45° SLOPE CLOSED TOP DRY BIN W/12" ϕ OUTLET, 12" FILLCAP & BASE