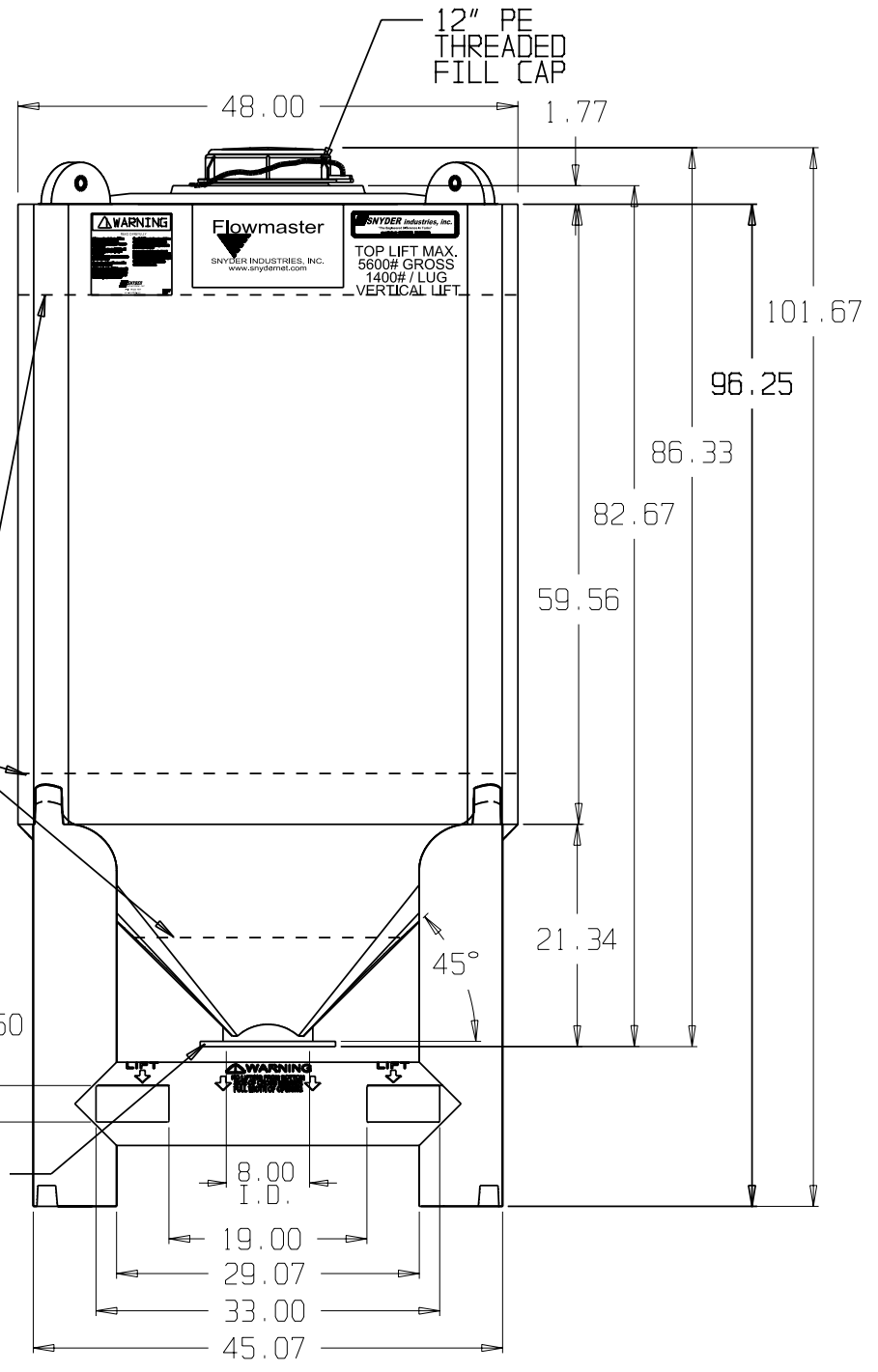
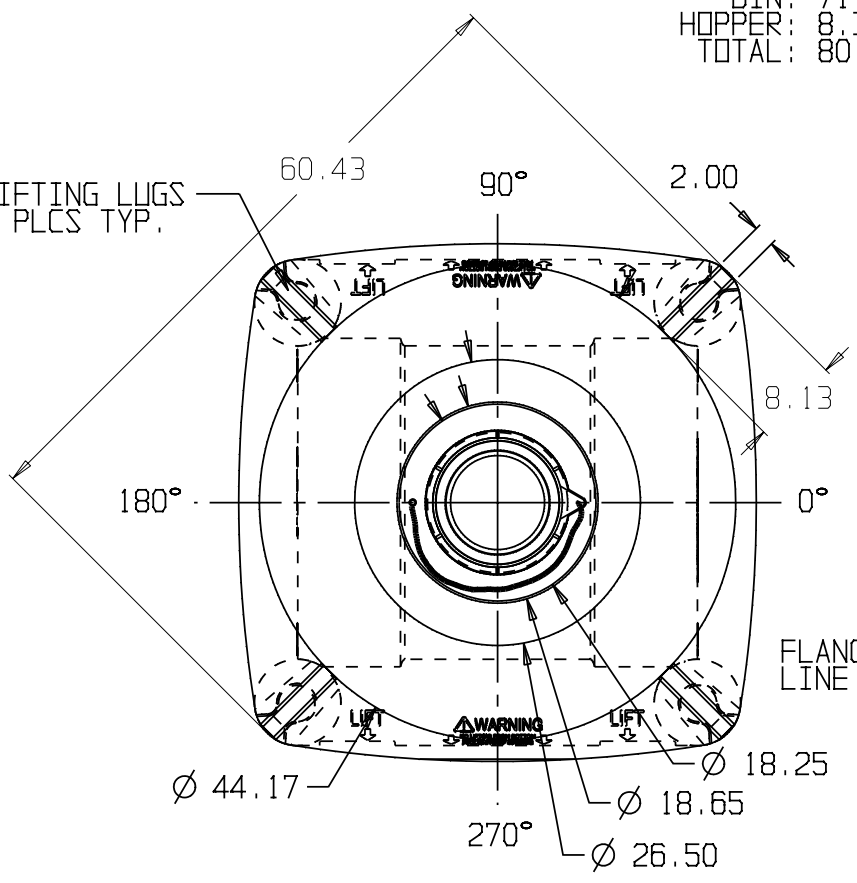


ACTUAL CAPACITY
 BIN: 71.7 CF
 HOPPER: 8.3 CF
 TOTAL: 80.0 CF

LIFTING LUGS
 4 PLCS TYP.



* BASE FITTINGS TO BE LEFT INSTALLED AT TIME OF SHIPMENT PER SII PROCEDURE
 * Consult Snyder's Guidelines for Use and Installation prior to delivery.
 Available on-line at www.snydernet.com

(all dimensions in inches)

PART #s BIN: 6370700N--L

80 CUBIC FOOT 45° SLOPE CLOSED TOP DRY BIN W/8" Ø OUTLET, 12" FILLCAP & BASE

BASE: 6390000N--L

REF#: 00000

06/20/05