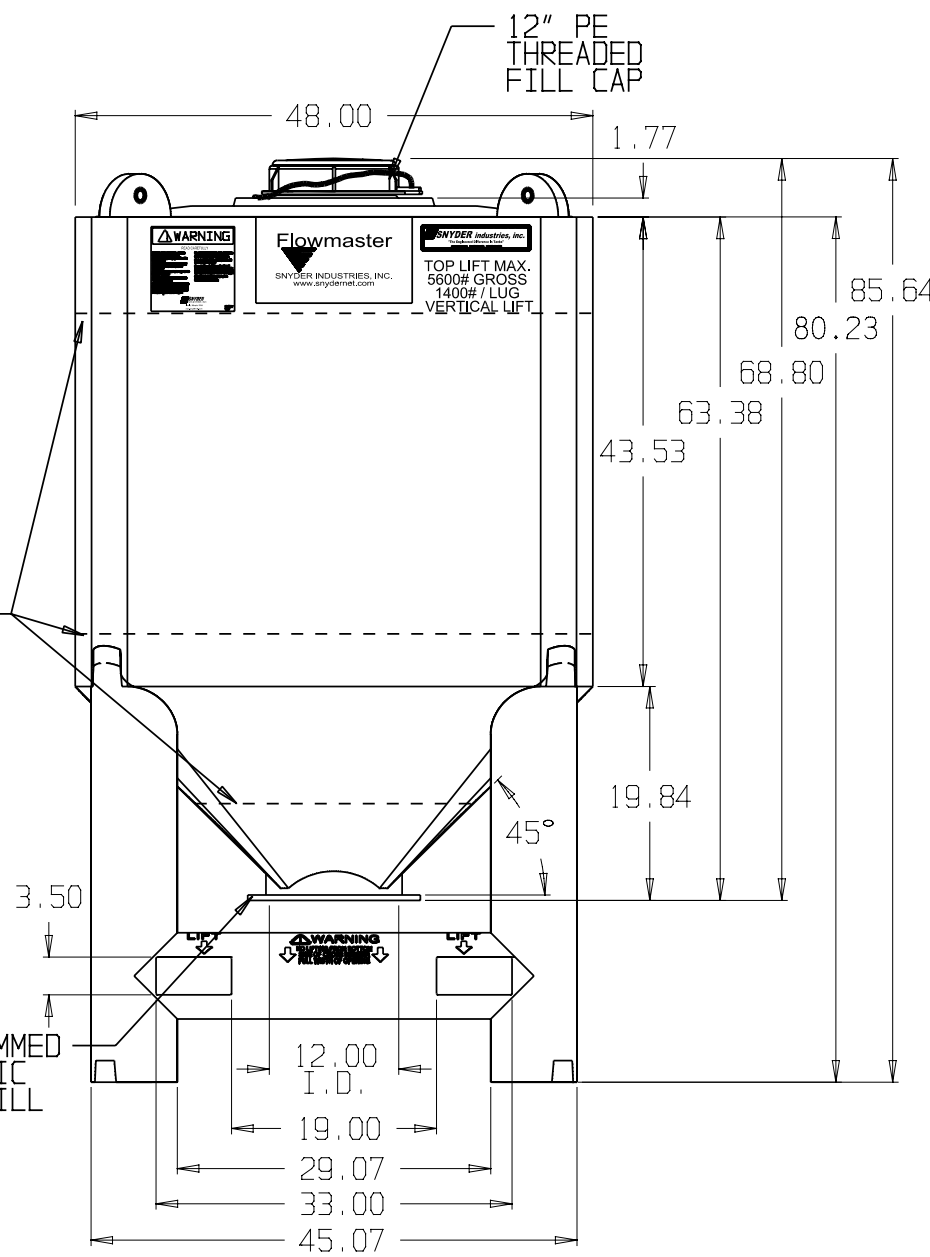
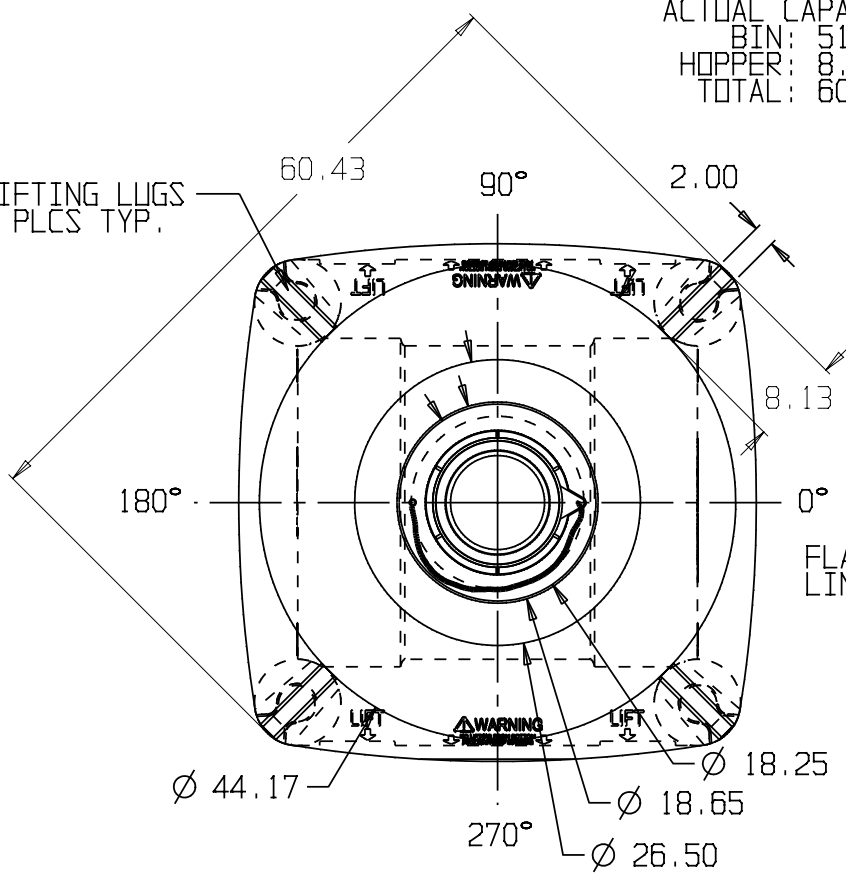


ACTUAL CAPACITY  
 BIN: 51.7 CF  
 HOPPER: 8.3 CF  
 TOTAL: 60.0 CF

LIFTING LUGS  
 4 PLCS TYP.



FLANGE TRIMMED  
 FOR SPECIFIC  
 VALVE (Ø WILL  
 VARY)

\* BASE FITTINGS TO BE LEFT INSTALLED AT TIME OF SHIPMENT PER SII PROCEDURE  
 \* Consult Snyder's Guidelines for Use and Installation prior to delivery.  
 Available on-line at [www.snydernet.com](http://www.snydernet.com)

(all dimensions in inches)

PART #s BIN: 6370601N--L

BASE: 6390000N--L

REF#: 00000

06/20/05

**60 CUBIC FOOT 45° SLOPE CLOSED TOP DRY BIN W/12" Ø OUTLET, 12" FILLCAP & BASE**