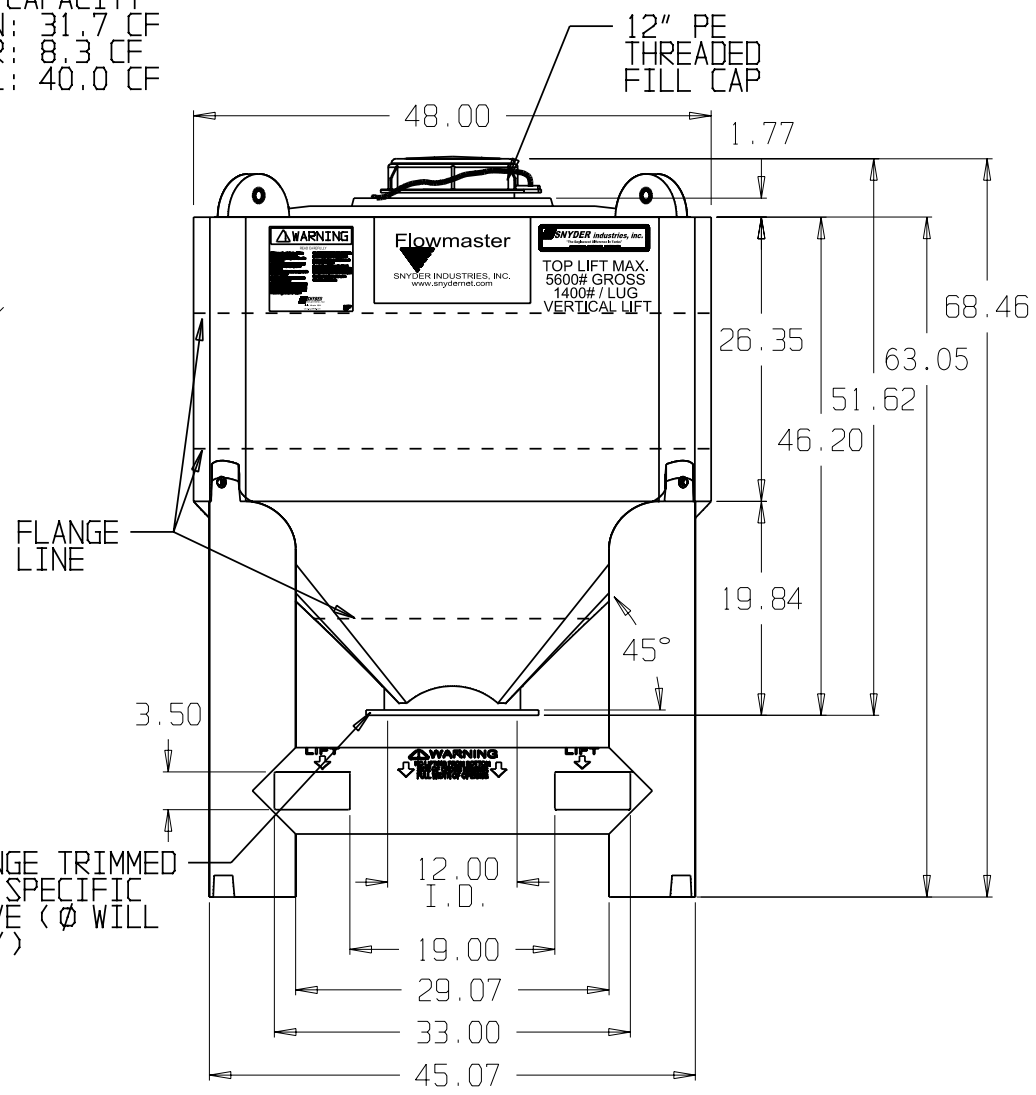
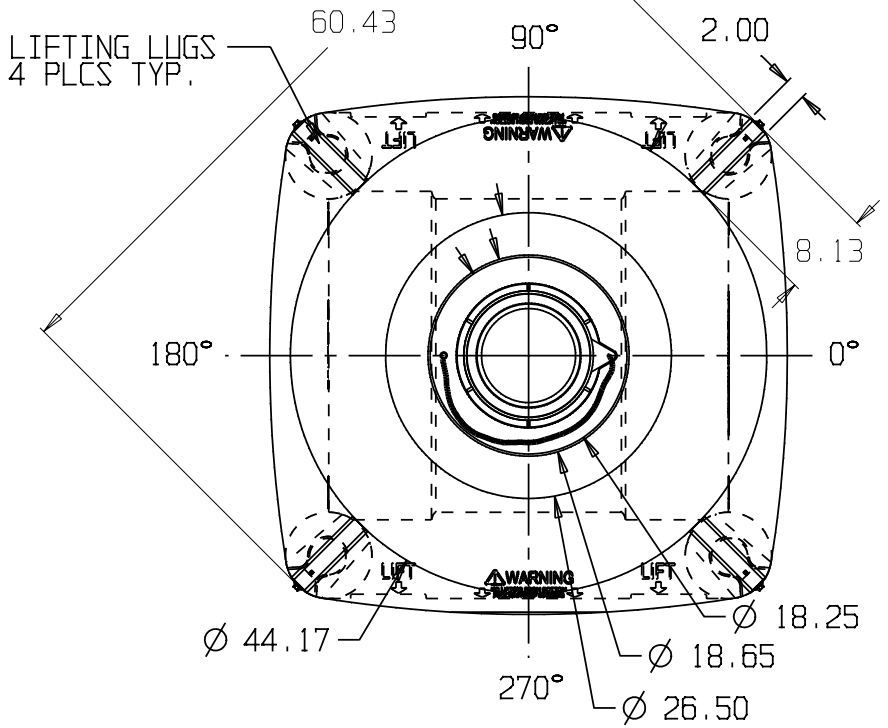


ACTUAL CAPACITY  
 BIN: 31.7 CF  
 HOPPER: 8.3 CF  
 TOTAL: 40.0 CF



\* BASE FITTINGS TO BE LEFT INSTALLED AT TIME OF SHIPMENT PER SII PROCEDURE  
 \* Consult Snyder's Guidelines for Use and Installation prior to delivery.  
 Available on-line at [www.snydernet.com](http://www.snydernet.com)

(all dimensions in inches)

PART #s BIN: 6370501N--L

**40 CUBIC FOOT 45° SLOPE CLOSED TOP DRY BIN W/12" Ø OUTLET, 12" FILLCAP & BASE**

BASE: 6390000N--L

REF#: 00000

06/17/05