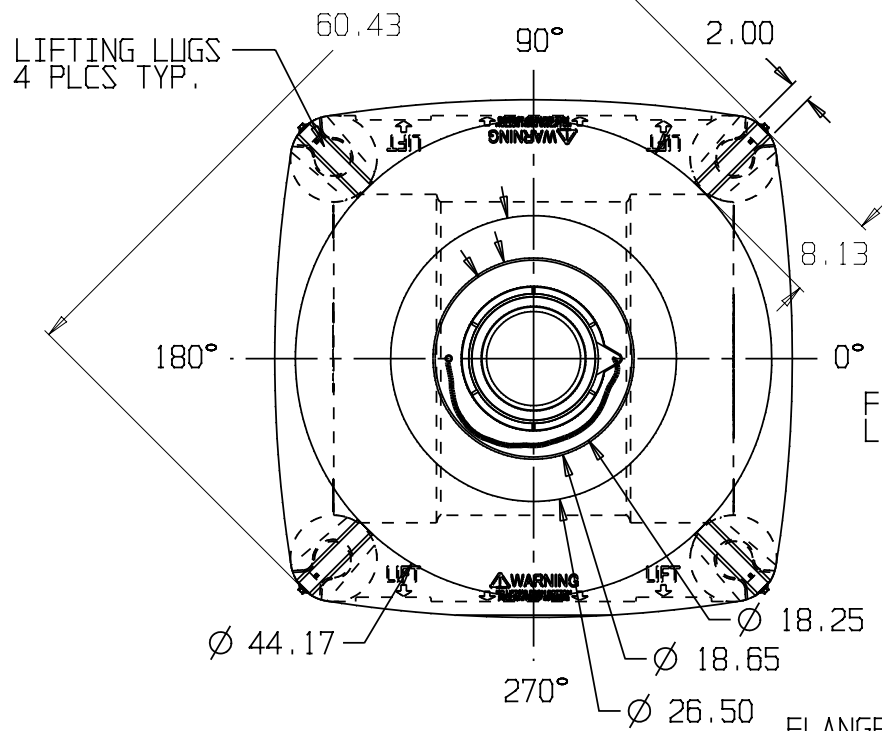
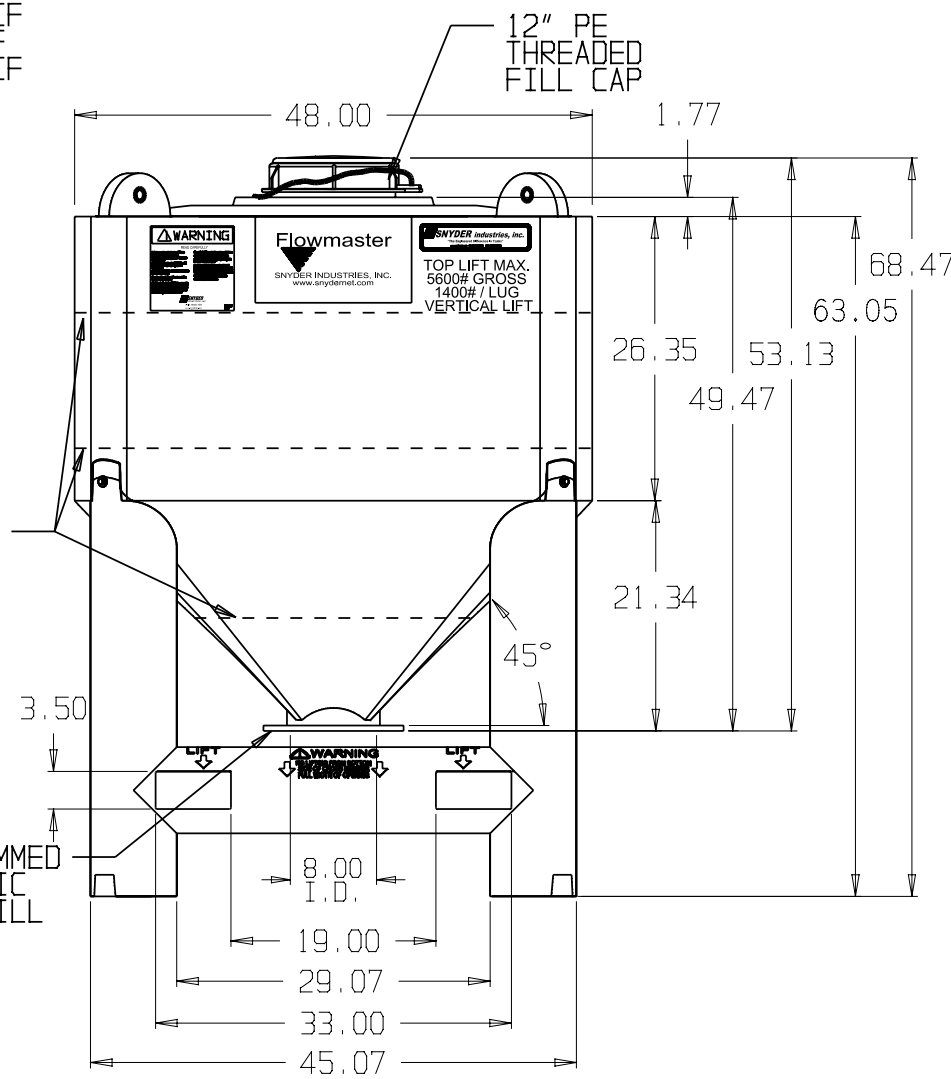


ACTUAL CAPACITY  
 BIN: 31.7 CF  
 HOPPER: 8.3 CF  
 TOTAL: 40.0 CF



FLANGE TRIMMED  
 FOR SPECIFIC  
 VALVE (∅ WILL  
 VARY)



\* BASE FITTINGS TO BE LEFT INSTALLED AT TIME OF SHIPMENT PER SII PROCEDURE  
 \* Consult Snyder's Guidelines for Use and Installation prior to delivery.  
 Available on-line at [www.snydernet.com](http://www.snydernet.com)

(all dimensions in inches)

PART #s BIN: 6370500N--L

40 CUBIC FOOT 45° SLOPE CLOSED TOP DRY BIN W/8" ∅ OUTLET, 12" FILLCAP & BASE

BASE: 6390000N--L

REF#: 00000

06/17/05