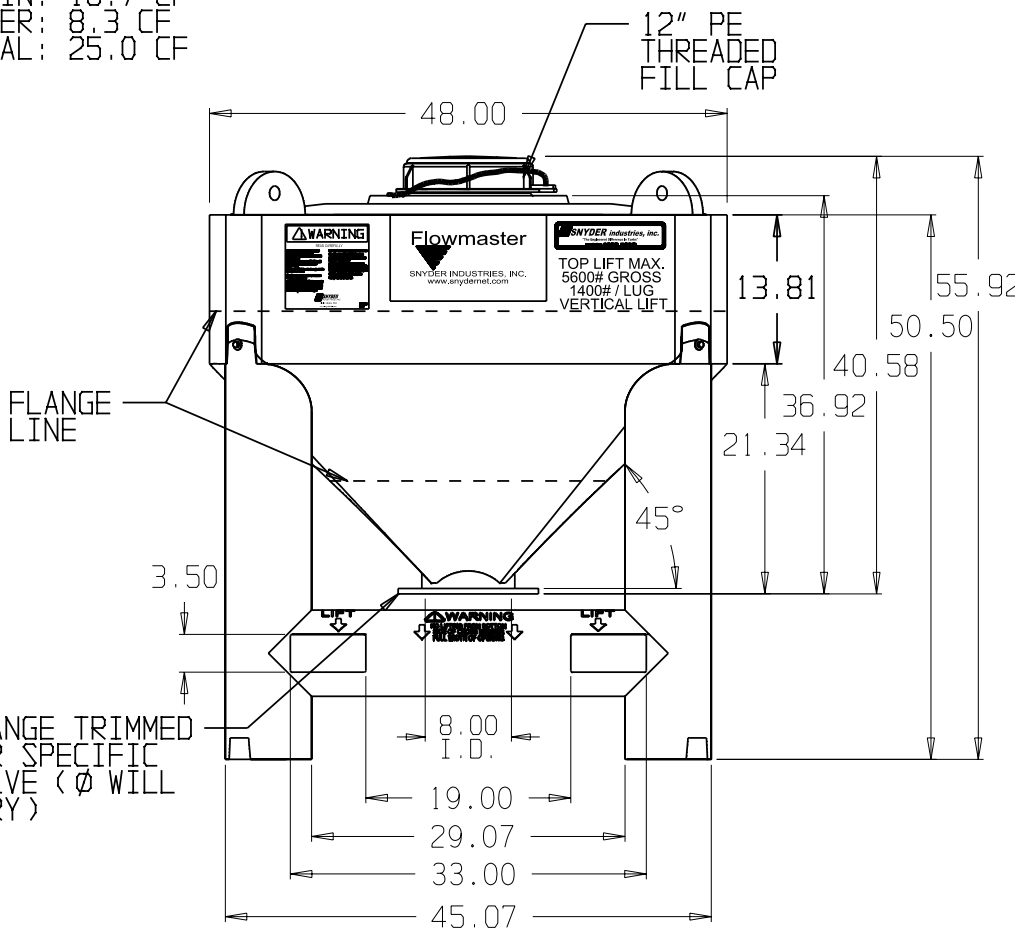
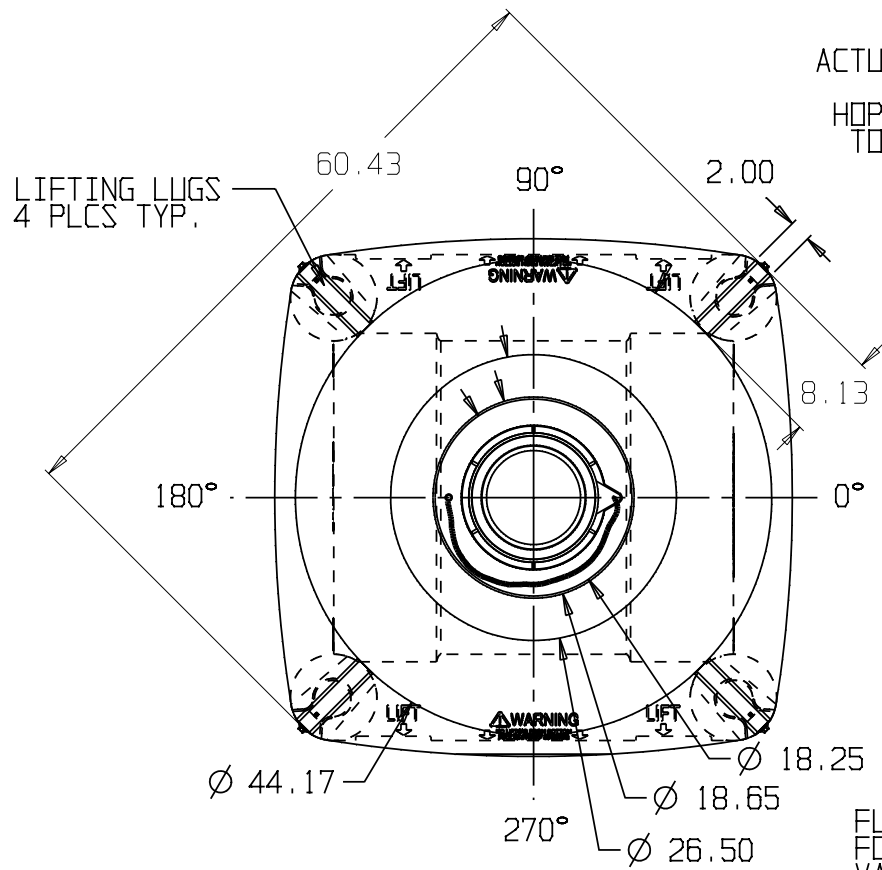


ACTUAL CAPACITY
 BIN: 16.7 CF
 HOPPER: 8.3 CF
 TOTAL: 25.0 CF



FLANGE TRIMMED FOR SPECIFIC VALVE (ϕ WILL VARY)

* BASE FITTINGS TO BE LEFT INSTALLED AT TIME OF SHIPMENT PER SII PROCEDURE
 * Consult Snyder's Guidelines for Use and Installation prior to delivery.
 Available on-line at www.snydernet.com

(all dimensions in inches)

PART #s BIN: 6370400N--L

BASE: 6390000N--L

REF#: 00000

06/17/05

25 CUBIC FOOT 45° SLOPE CLOSED TOP DRY BIN W/8" ϕ OUTLET & 12" FILLCAP & BASE