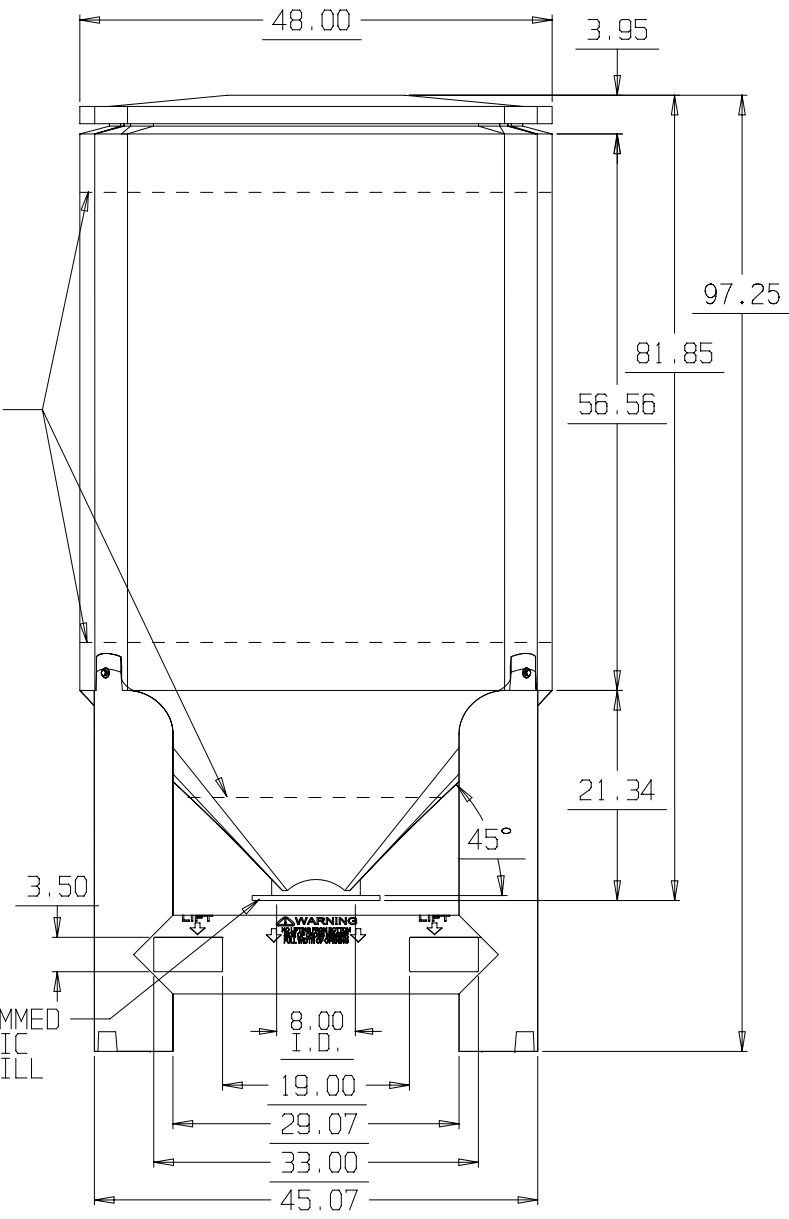


ACTUAL CAPACITY
 BIN: 69.6 CF
 HOPPER: 8.9 CF
 TOTAL: 78.5 CF

FLANGE LINES

FLANGE TRIMMED FOR SPECIFIC VALVE (Ø WILL VARY)



* BASE FITTINGS TO BE LEFT INSTALLED AT TIME OF SHIPMENT PER SII PROCEDURE
 * Consult Snyder's Guidelines for Use and Installation prior to delivery.
 Available on-line at www.snydernet.com

(all dimensions in inches)

PART #s BIN: 6370300N--L

BASE: 6390000N--L

REF#: 00000

11/12/04

80 CUBIC FOOT 45° SLOPE OPEN TOP DRY BIN W/8" Ø OUTLET, NO MANWAY & BASE