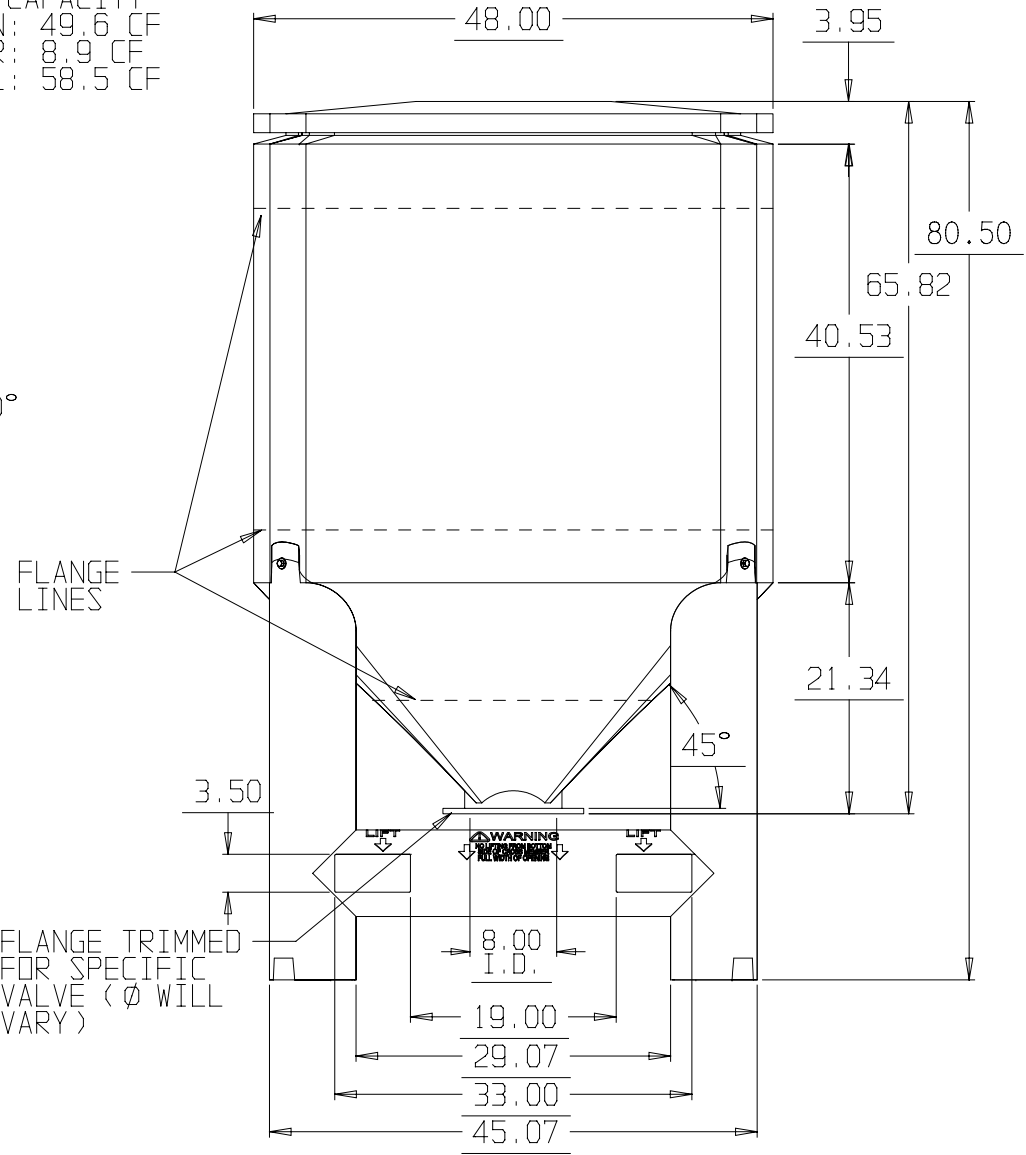
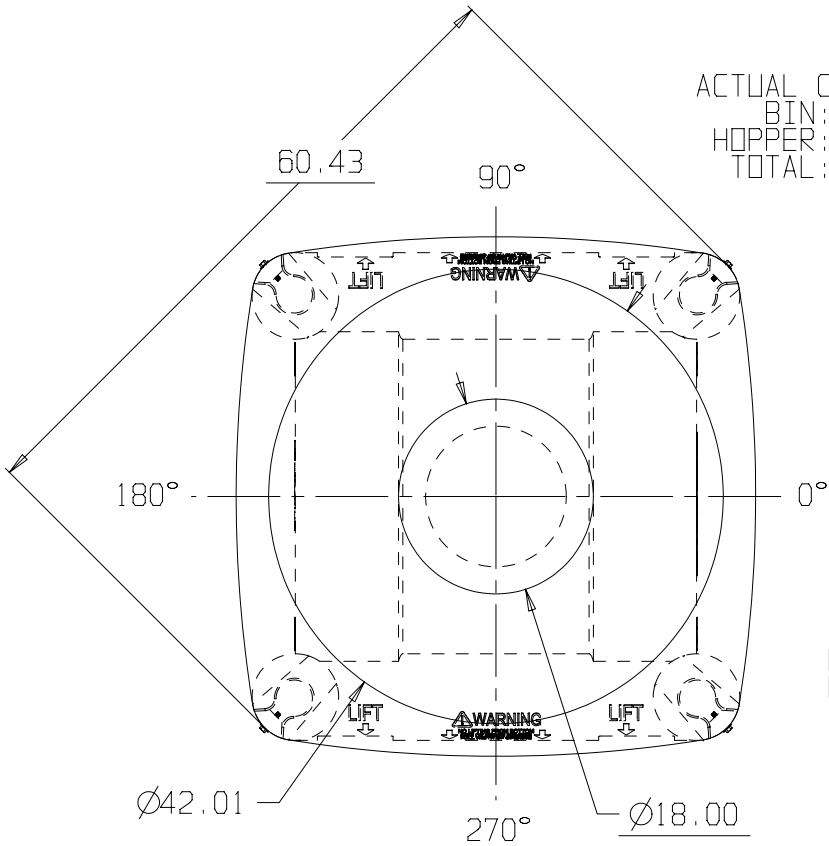


ACTUAL CAPACITY
 BIN: 49.6 CF
 HOPPER: 8.9 CF
 TOTAL: 58.5 CF



* BASE FITTINGS TO BE LEFT INSTALLED AT TIME OF SHIPMENT PER SII PROCEDURE
 * Consult Snyder's Guidelines for Use and Installation prior to delivery.
 Available on-line at www.snyder.net.com

(all dimensions in inches)

PART #s BIN: 6370200N--L

60 CUBIC FOOT 45° SLOPE OPEN TOP DRY BIN W/8" Ø OUTLET, NO MANWAY & BASE

BASE: 6390000N--L

REF#: 00000

11/12/04