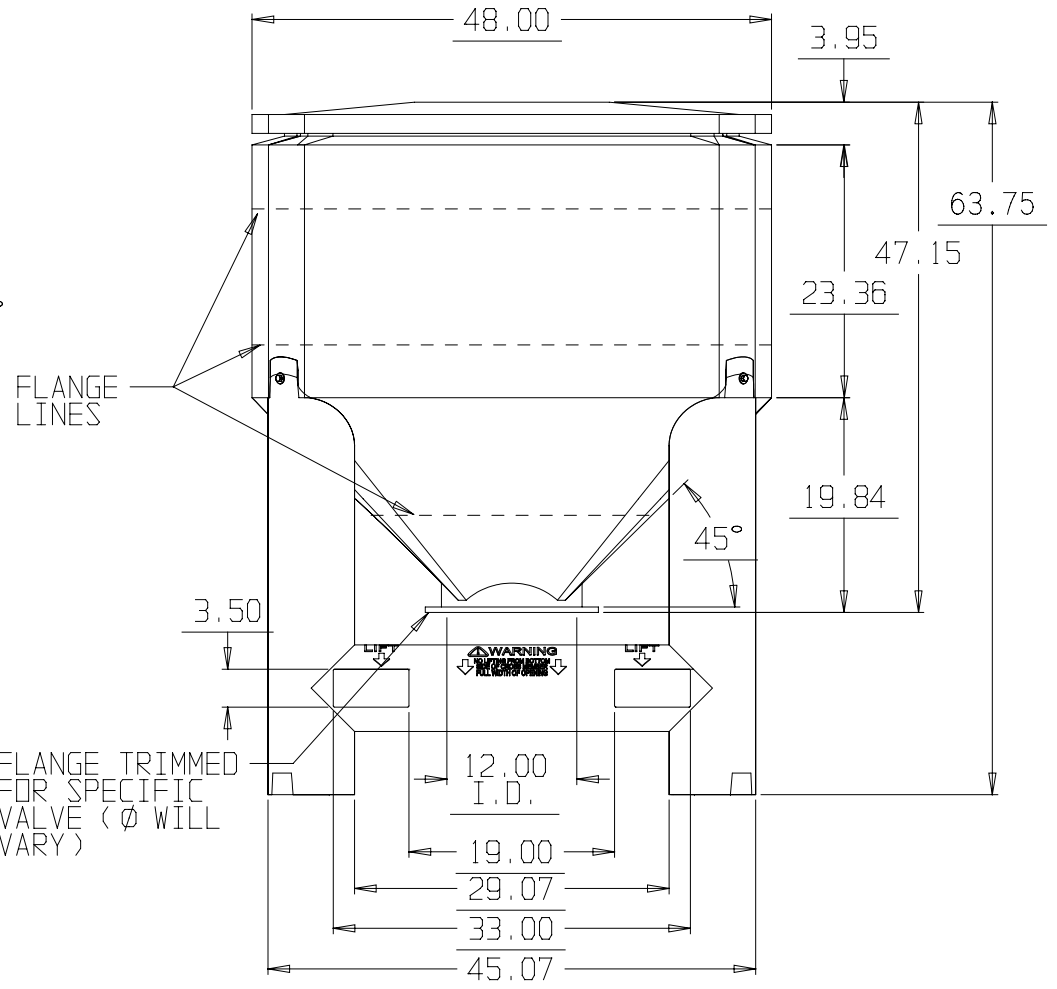


ACTUAL CAPACITY  
 BIN: 29.6 CF  
 HOPPER: 8.9 CF  
 TOTAL: 38.5 CF



FLANGE TRIMMED FOR SPECIFIC VALVE (Ø WILL VARY)

\* BASE FITTINGS TO BE LEFT INSTALLED AT TIME OF SHIPMENT PER SII PROCEDURE  
 \* Consult Snyder's Guidelines for Use and Installation prior to delivery.  
 Available on-line at [www.snyder.net.com](http://www.snyder.net.com)

(all dimensions in inches)  
 PART #s BIN: 6370101N--L

40 CUBIC FOOT 45° SLOPE OPEN TOP DRY BIN W/12" Ø OUTLET, NO MANWAY & BASE

BASE: 6390000N--L  
 REF#: 00000 11/12/04