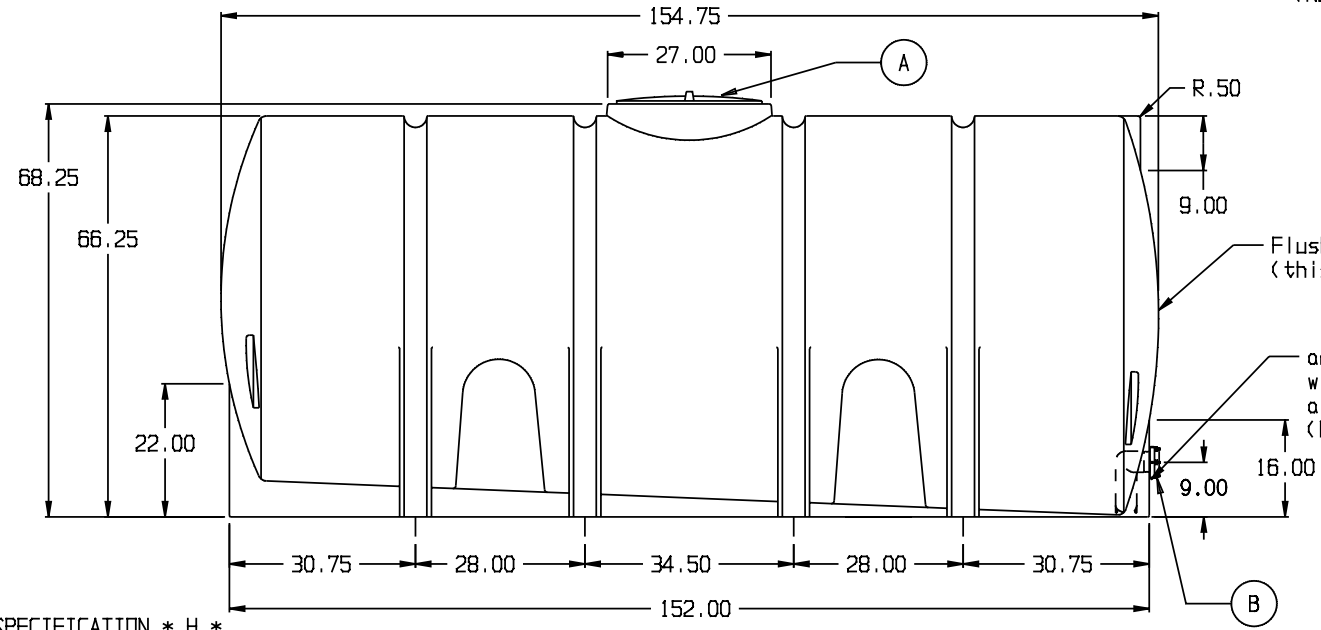


any ftg on this flat must be connected with a flexible connector capable of a minimum 10° downward angle (NOTE ON DWG. REQUIRED)



any ftg on this flat must be connected with a flexible connector capable of a minimum 10° downward angle (NOTE ON DWG. REQUIRED)

STANDARD OUTLET SPECIFICATION \* H \*

A. 24" PE THREADED-VENTED MANWAY W/22" ACCESS [P/N 34700352],  
 B. 3" PP DBL FLANGED BOLTED LONG SIPHON TUBE ASSY W/EPDM GASKETS  
 & SS BOLTS [P/N 34700843]  
 BASE FITTINGS TO BE LEFT INSTALLED AT TIME OF SHIPMENT PER SII PROCEDURE

(all dimensions in inches)  
 PART # TANK: 8470000C--

2,600 GALLON HORIZONTAL LEG TANK

REF#: 00000 03/09/06