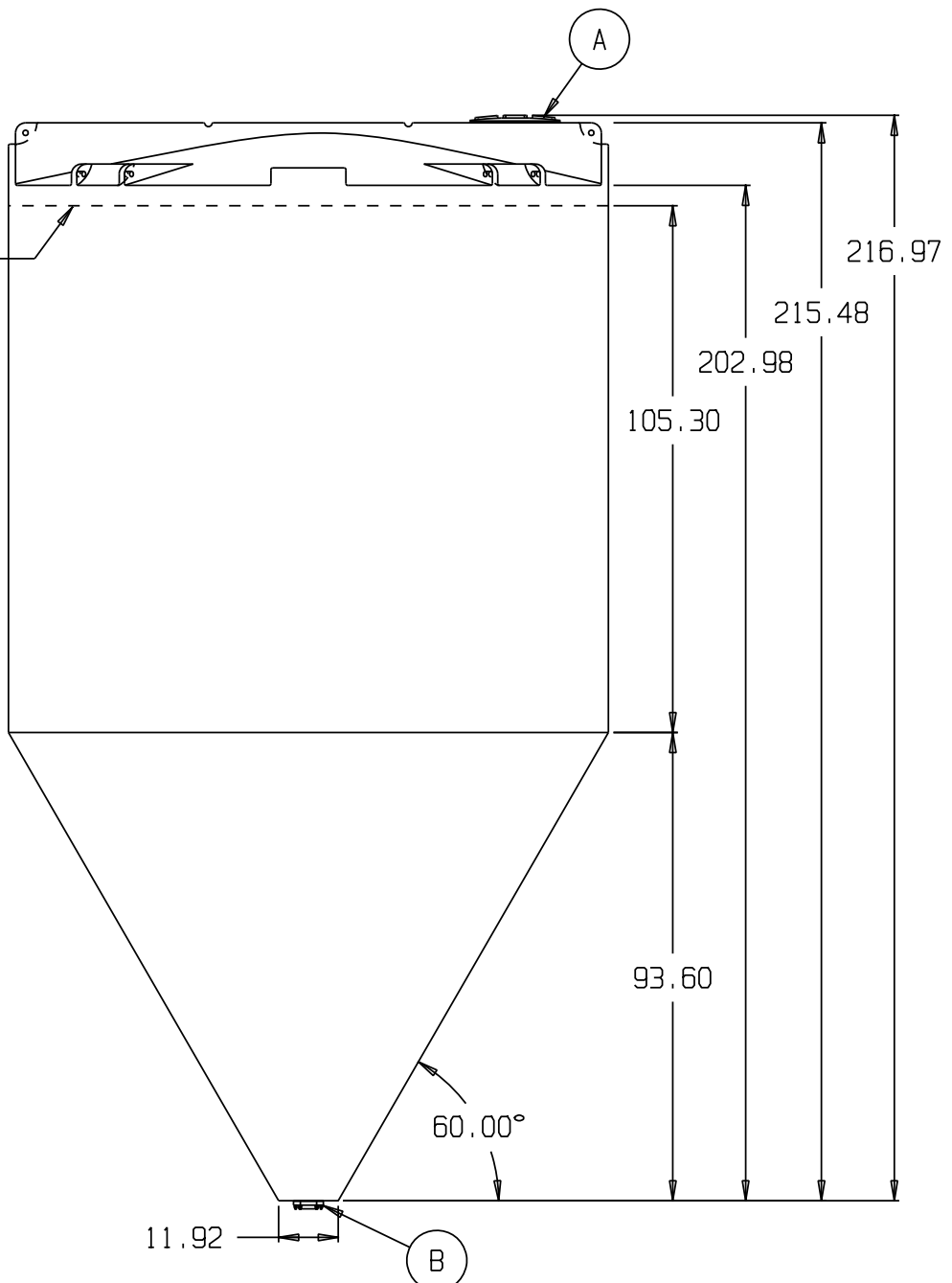


FLANGE LINE



STANDARD OUTLET SPECIFICATION * 0 *

- A. 18" PE THREADED-VENTED MANWAY W/15" ACCESS [P/N 34700087]
- B. 3" PP DBL FLANGED BOLTED BOTTOM DRAIN FTG W/EPDM GASKETS & SS BOLTS [P/N 34100006]

BASE FITTINGS TO BE LEFT INSTALLED AT TIME OF SHIPMENT PER SII PROCEDURE

(all dimensions in inches)

PART # TANK: 5280100C--

7000 GALLON X 60° CONE BOTTOM TANK

REF#: 00000

07/24/08