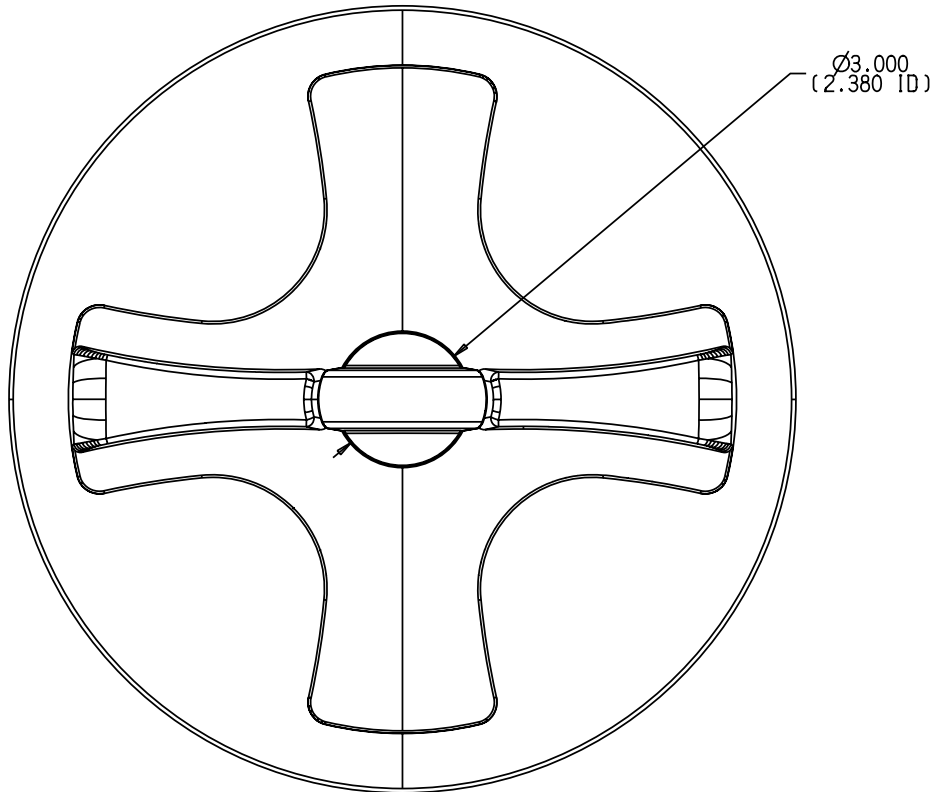
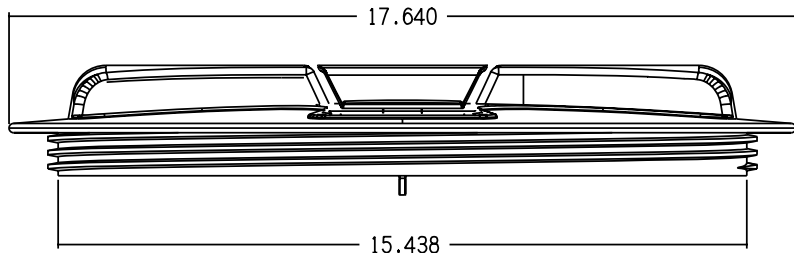
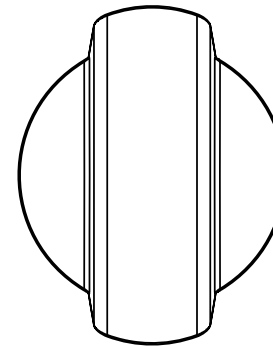
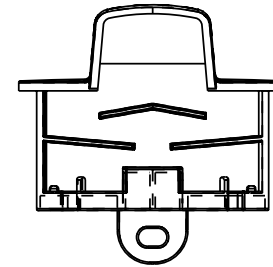


BREATHER DETAIL



TOP VIEW



FRONT VIEW

(all dimensions in inches)

PART # LID: 34300012

18" PE THREADED MANWAY W/2" VENT

REF#: 0000

10/09/07